

RED DC VOLTAGE
BLUE INPUT SIGNALS
BLACK GROUNDS, SHIELDS AND RETURNS
PURPLE OUTPUT SIGNALS
GREEN DATA LINKS

REPRESENTS FEMALE PIN
 REPRESENTS MALE PIN
 REPRESENTS TWISTED PAIR
 REPRESENTS SHIELD

NOTE 1: SOME OF THE CIRCUITS SHOWN HERE WILL NOT BE ACTIVE IN ALL APPLICATIONS. CONSULT THE EQUIPMENT MANUFACTURER'S LITERATURE TO DETERMINE WHICH CIRCUITS ARE USED.

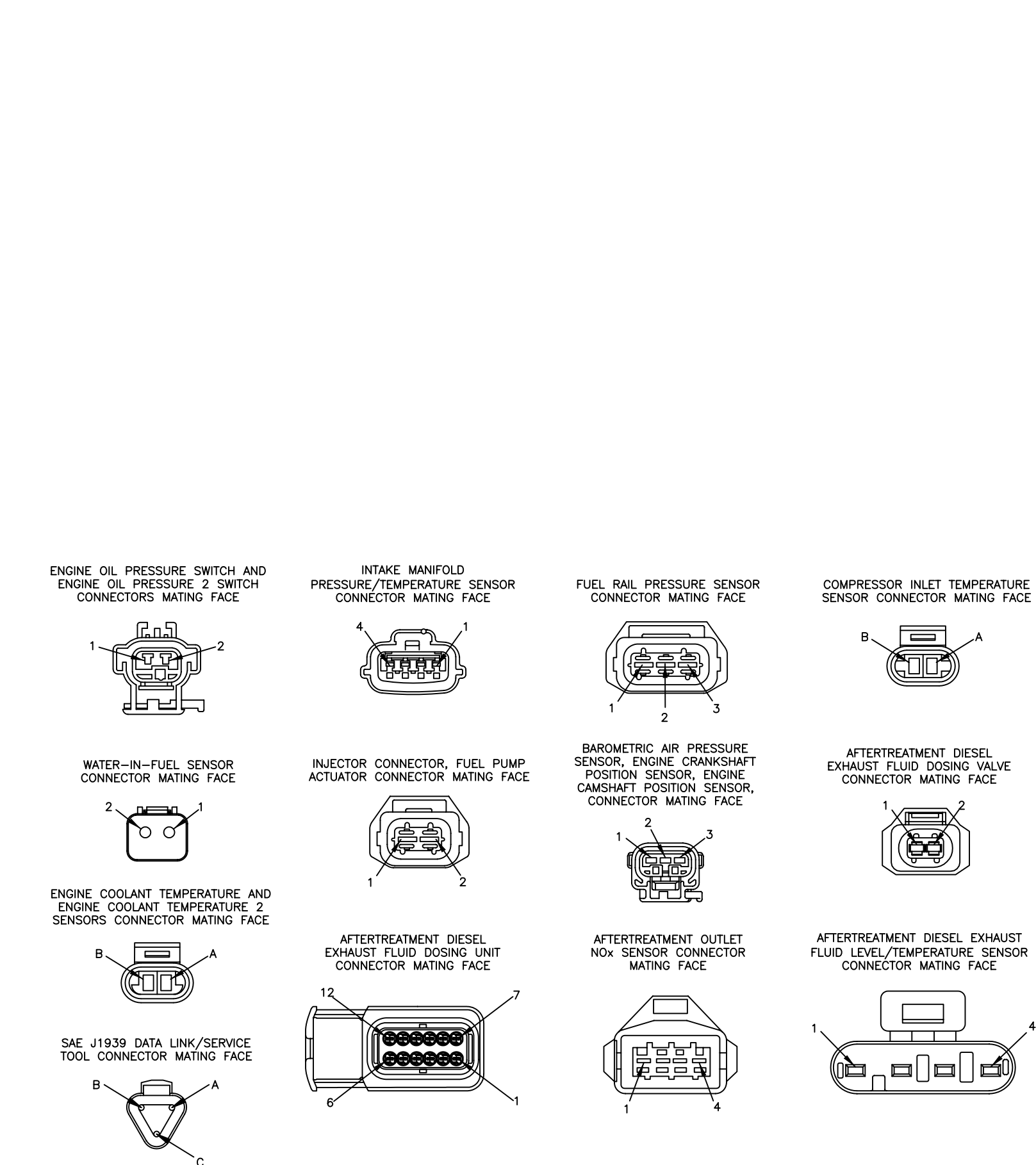
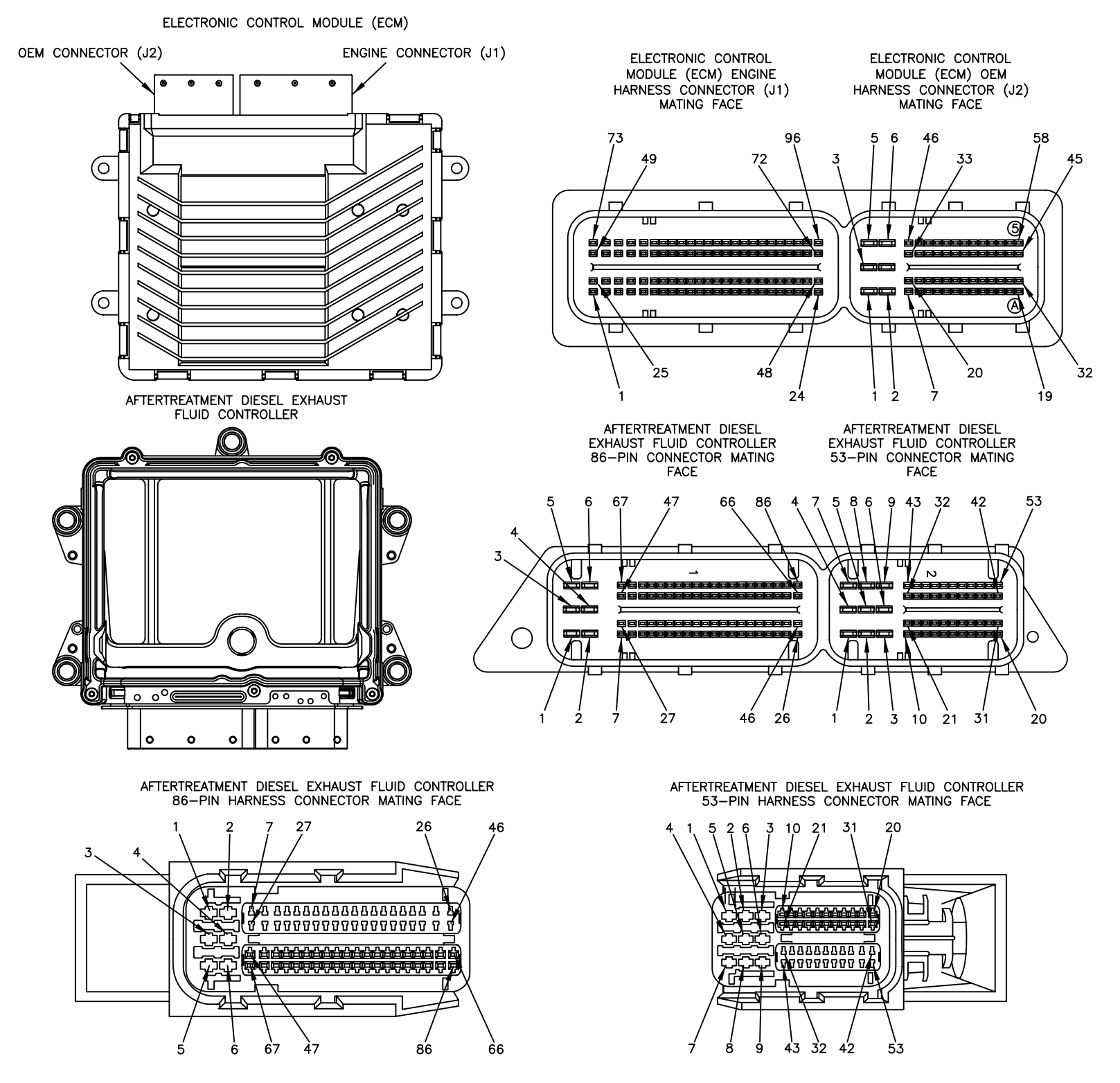
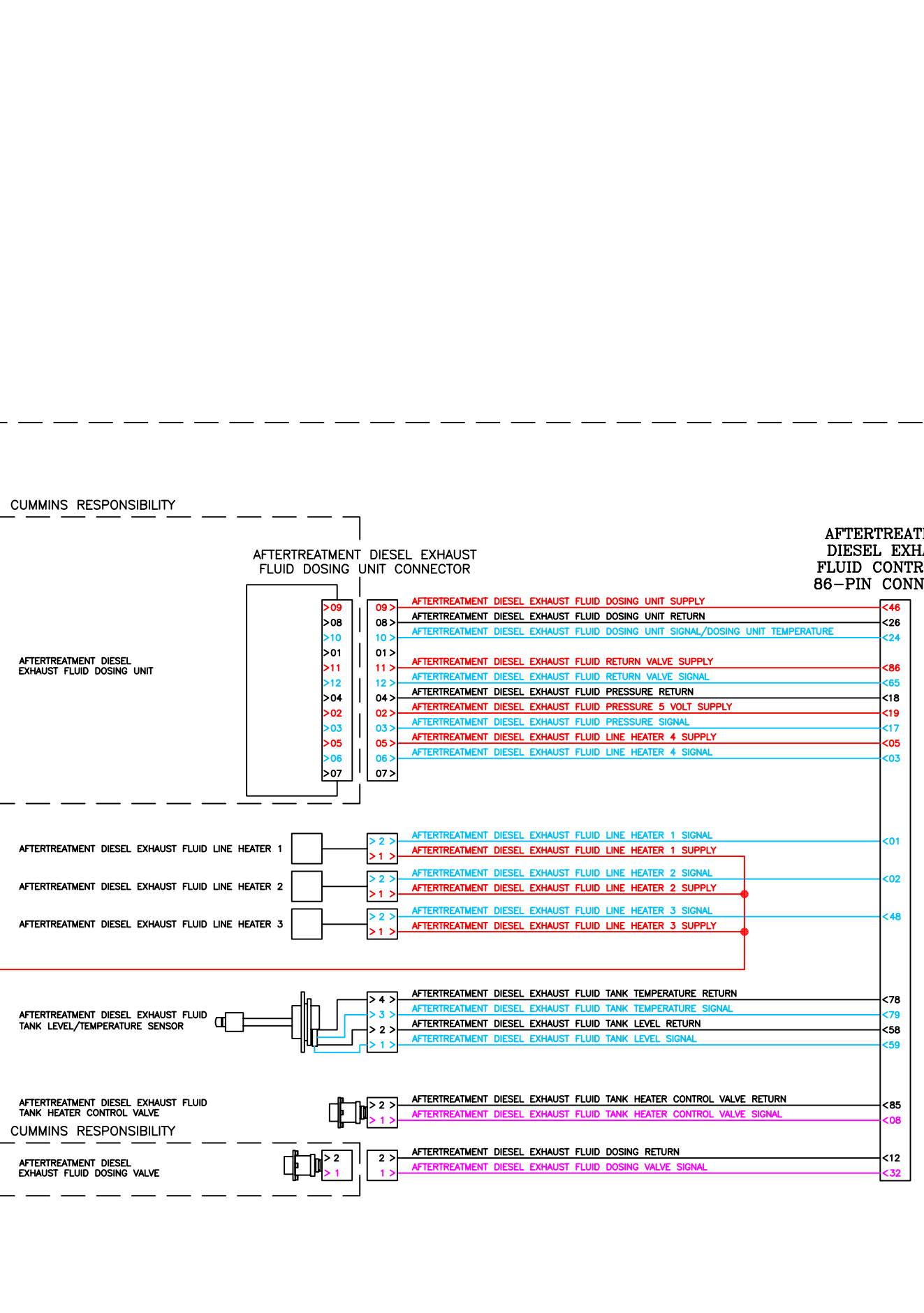
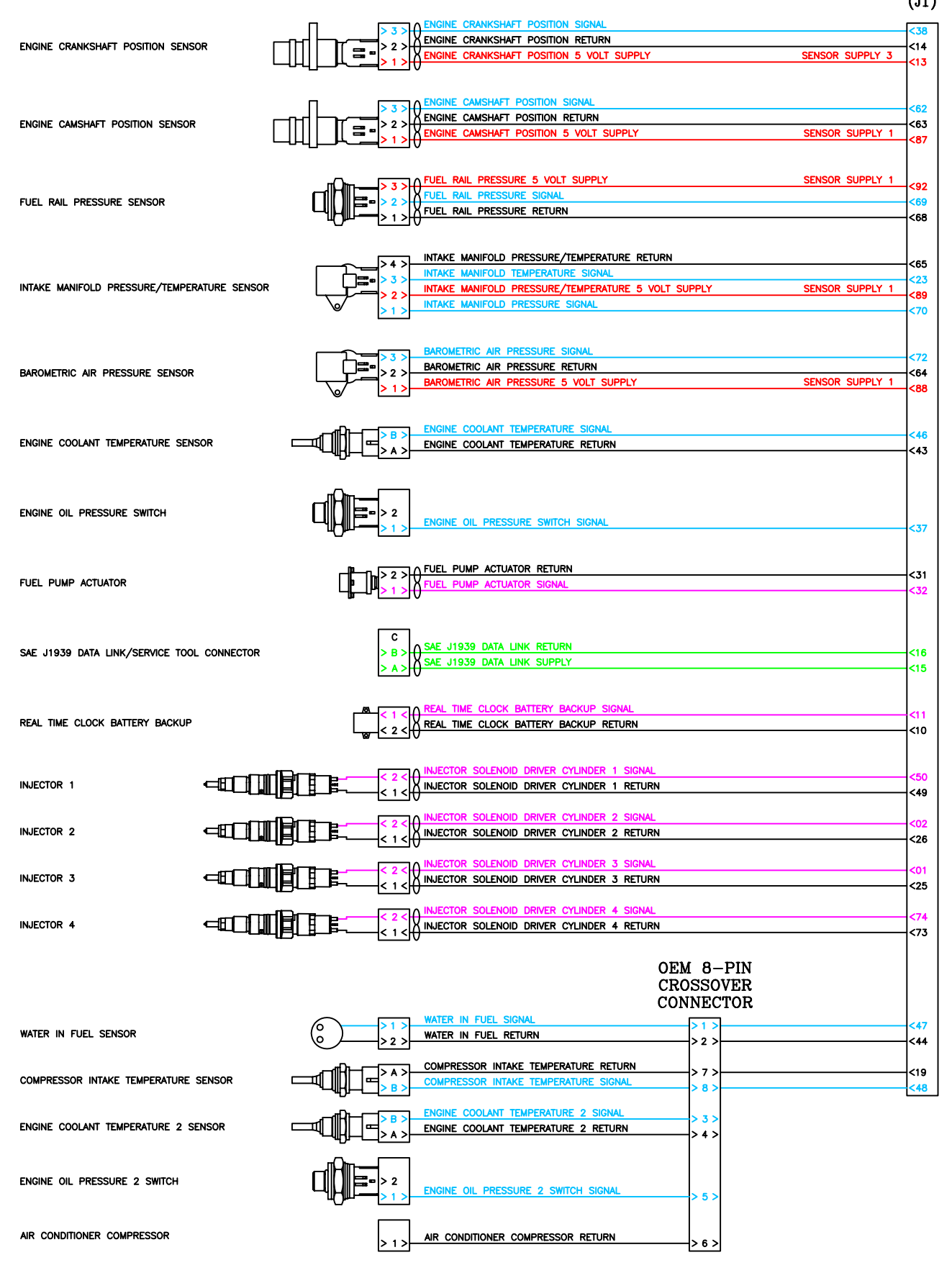
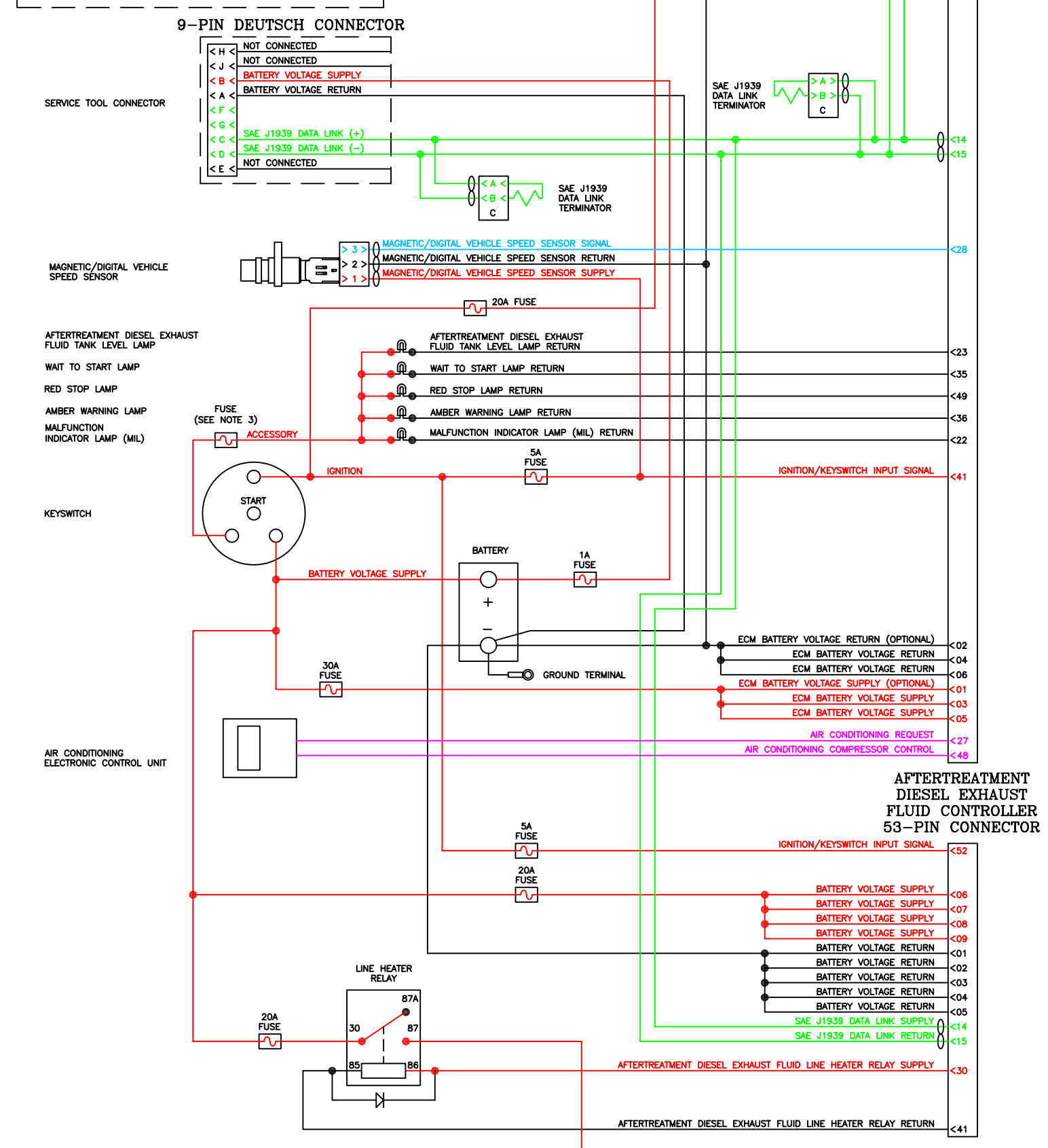
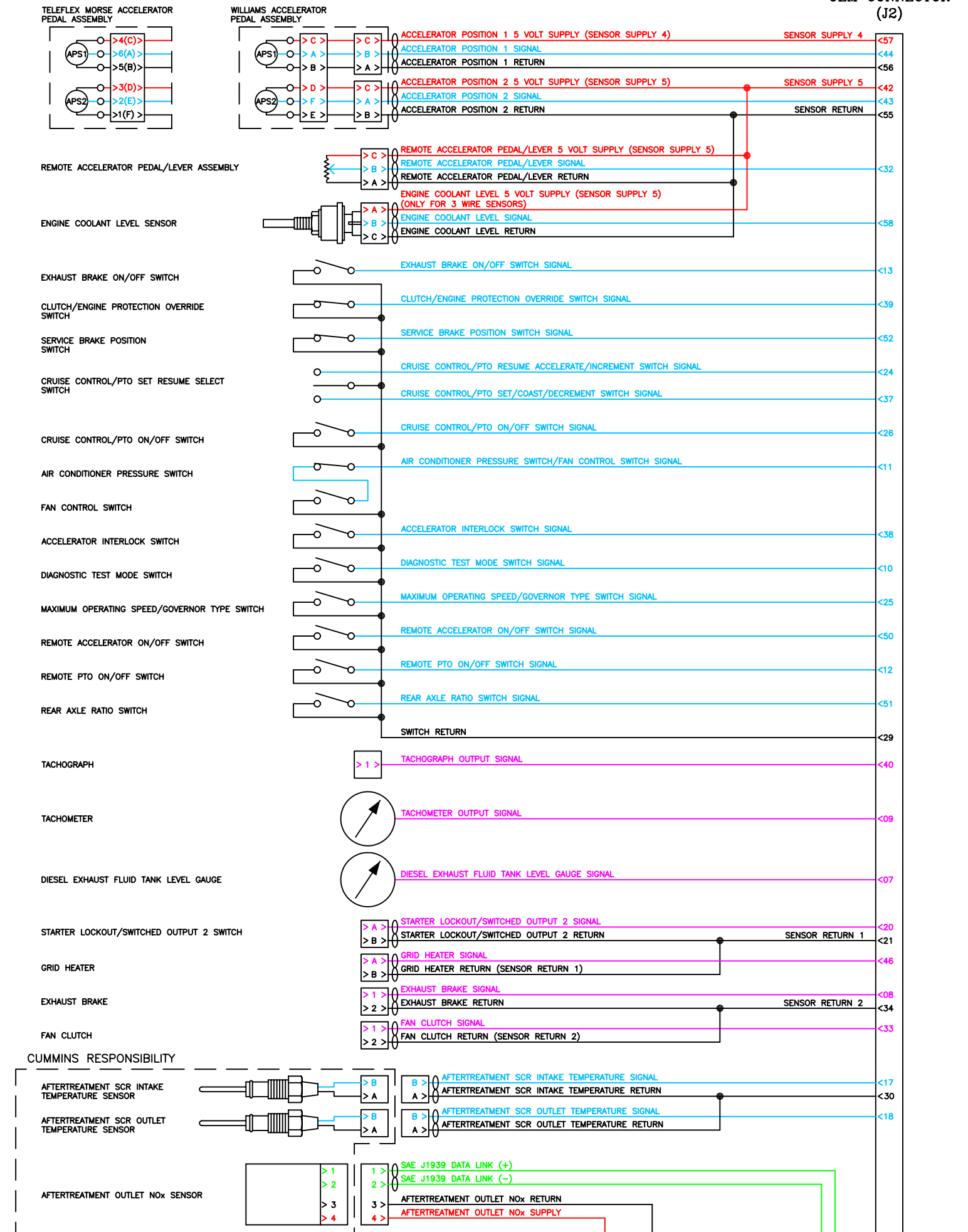
NOTE 2: MAY BE EITHER INCREMENT OR DECREMENT DEPENDING ON THE VALUE OF THE ECM ADJUSTABLE PARAMETER "CRUISE CONTROL SETUP".

NOTE 3: THIS FUSE AMPERAGE IS OEM SPECIFIC.

OEM RESPONSIBILITY

CUMMINS RESPONSIBILITY

ELECTRONIC CONTROL MODULE (ECM) OEM CONNECTOR (J1)



PROOF COPY
 Bulletin 4022139-01
 12/13/2010