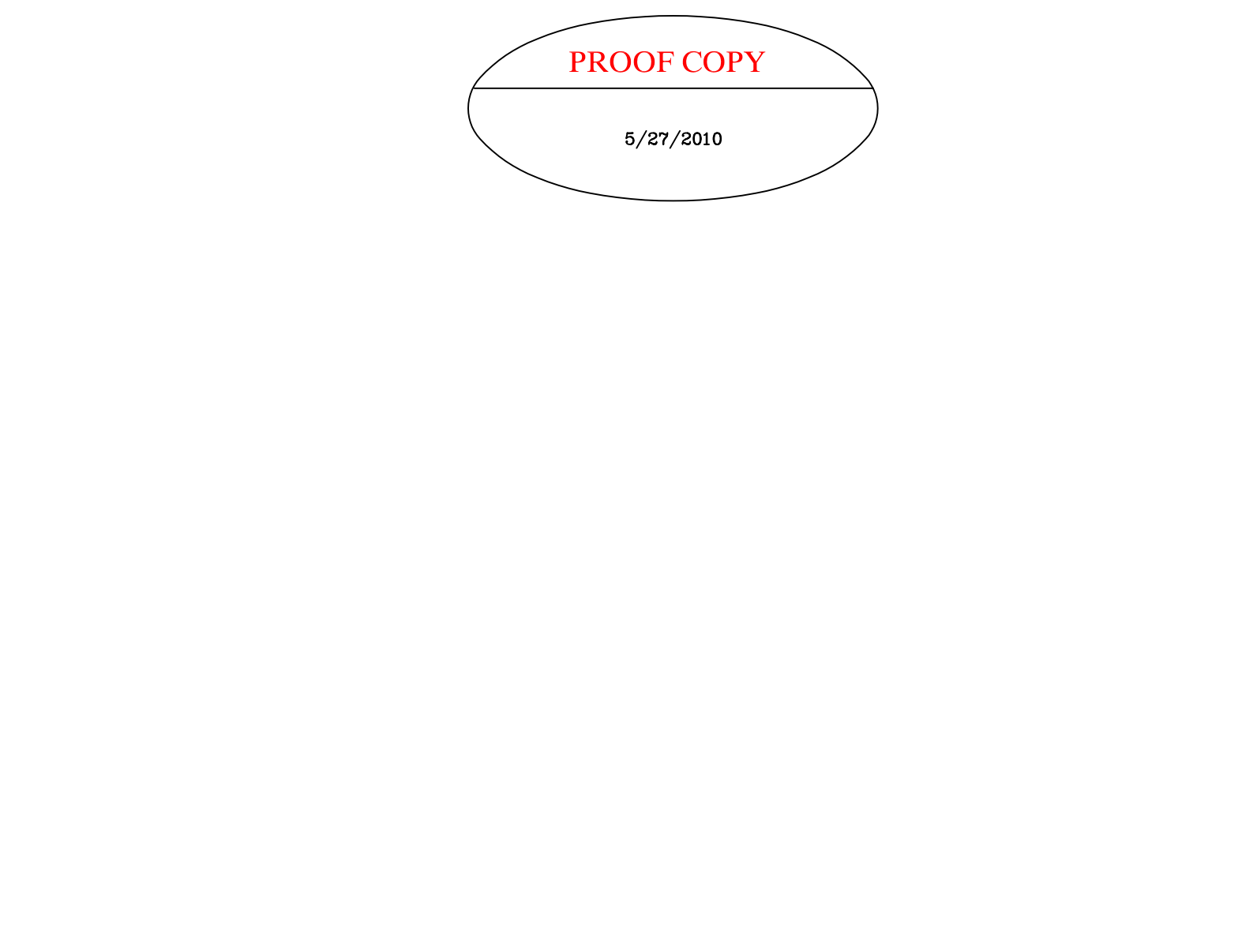
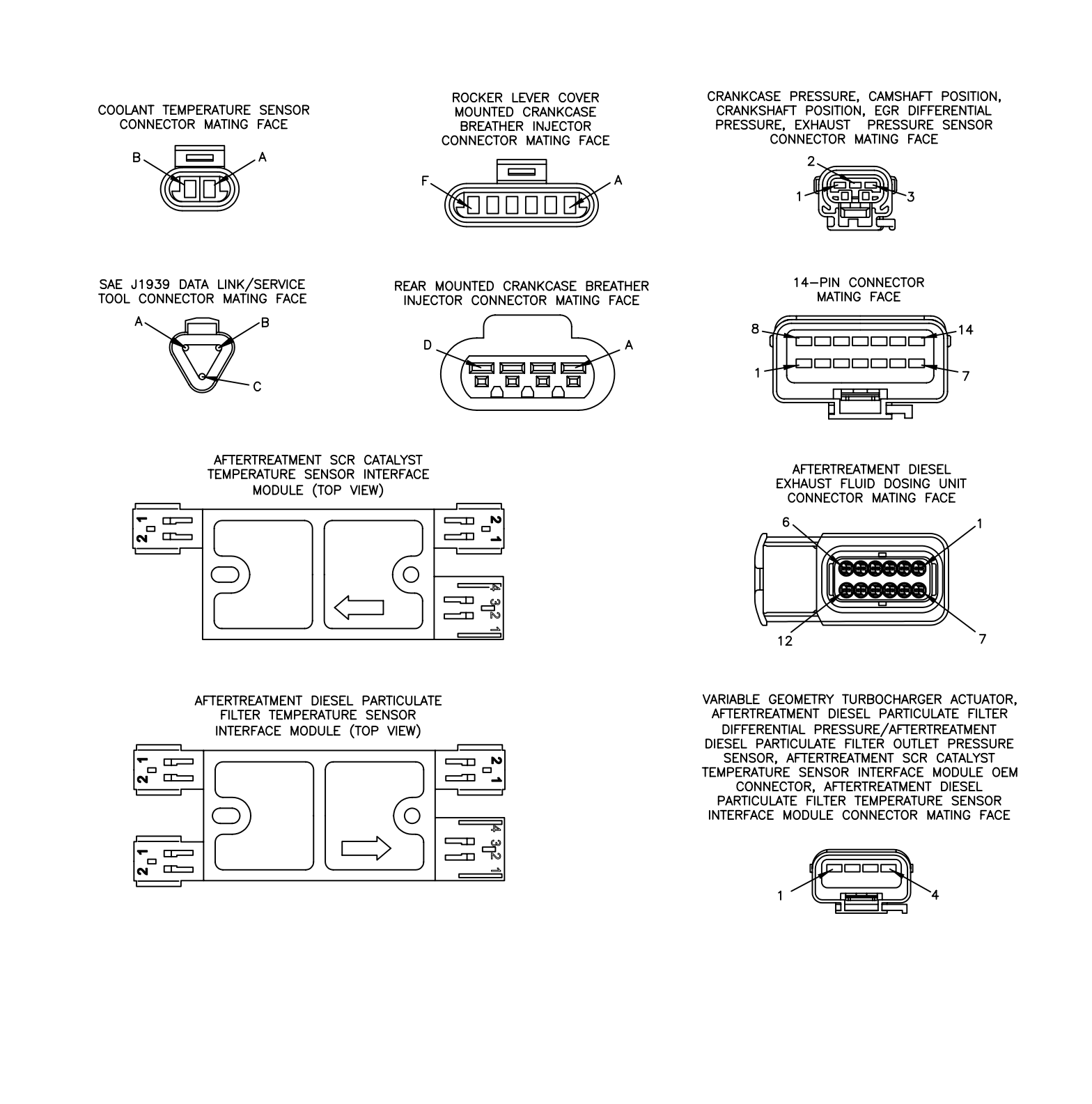
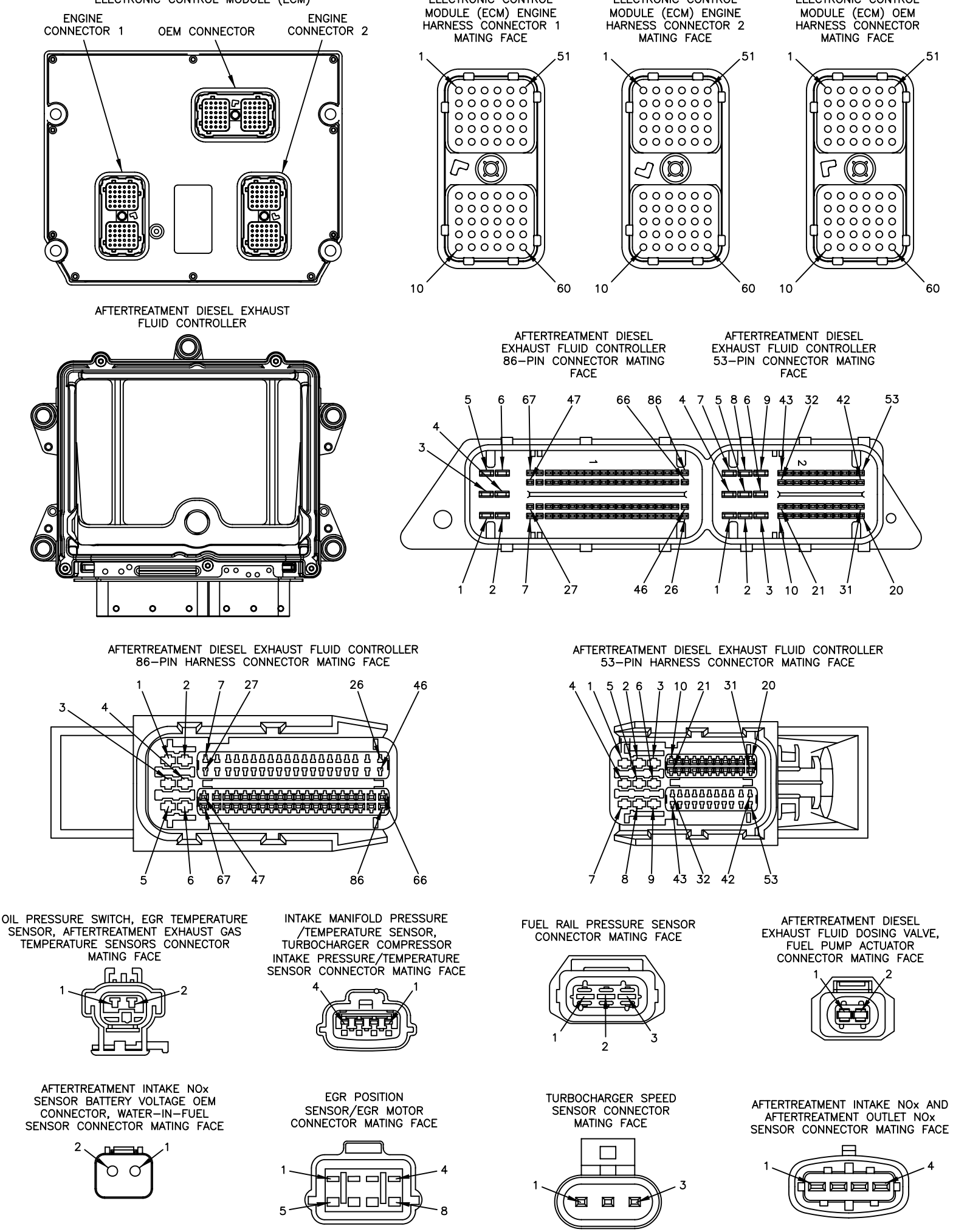
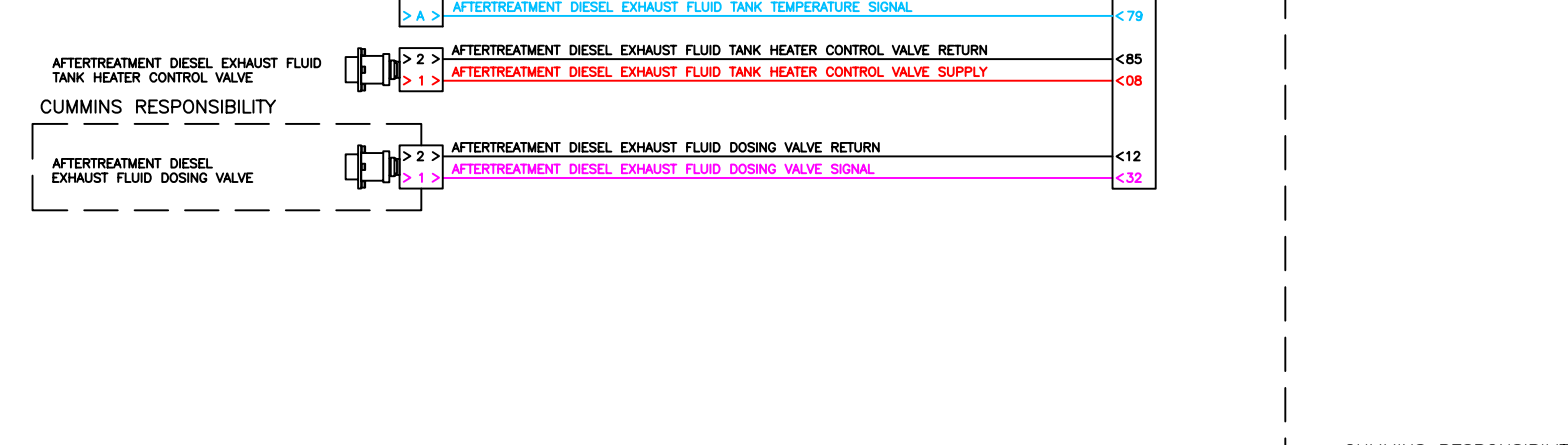
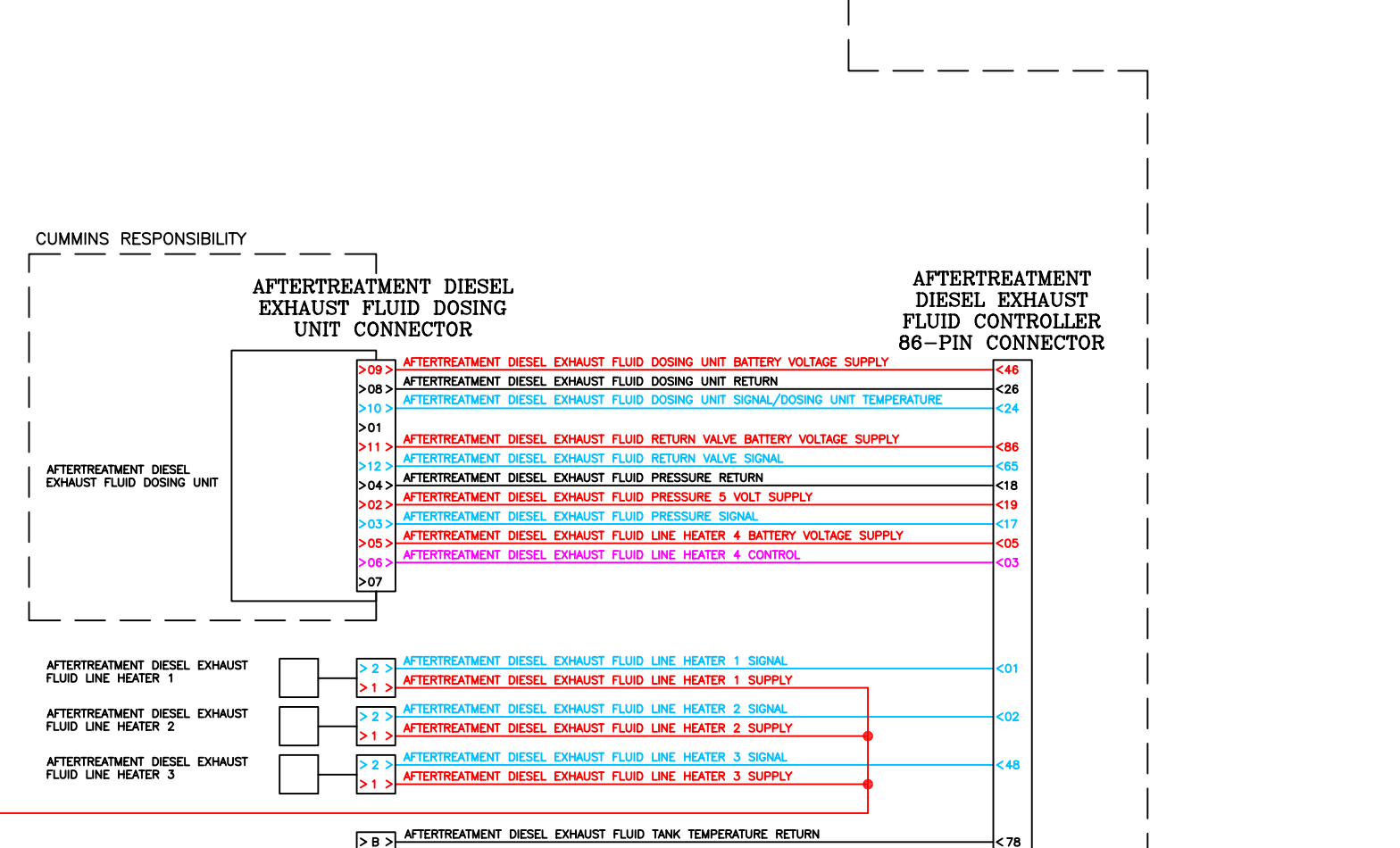
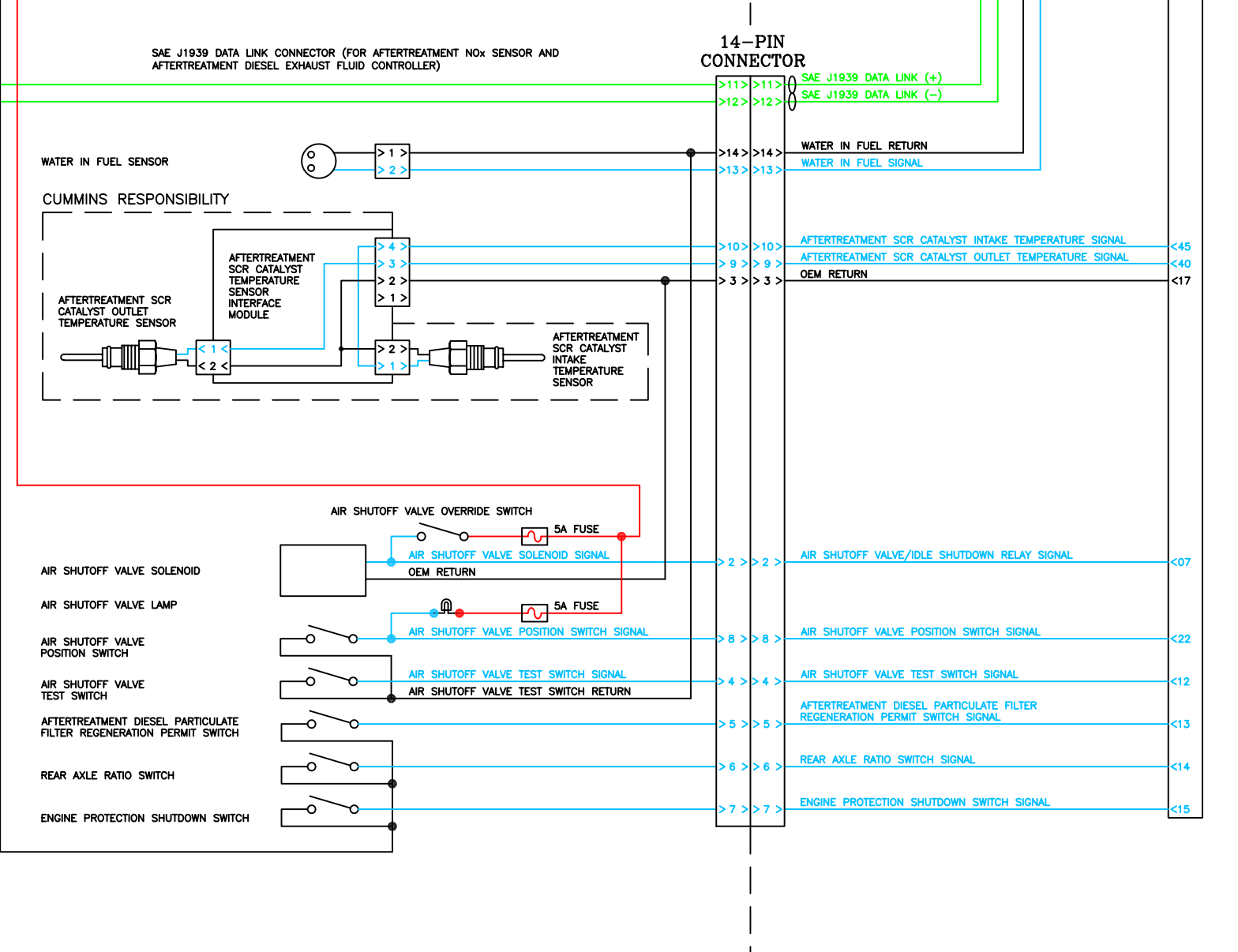
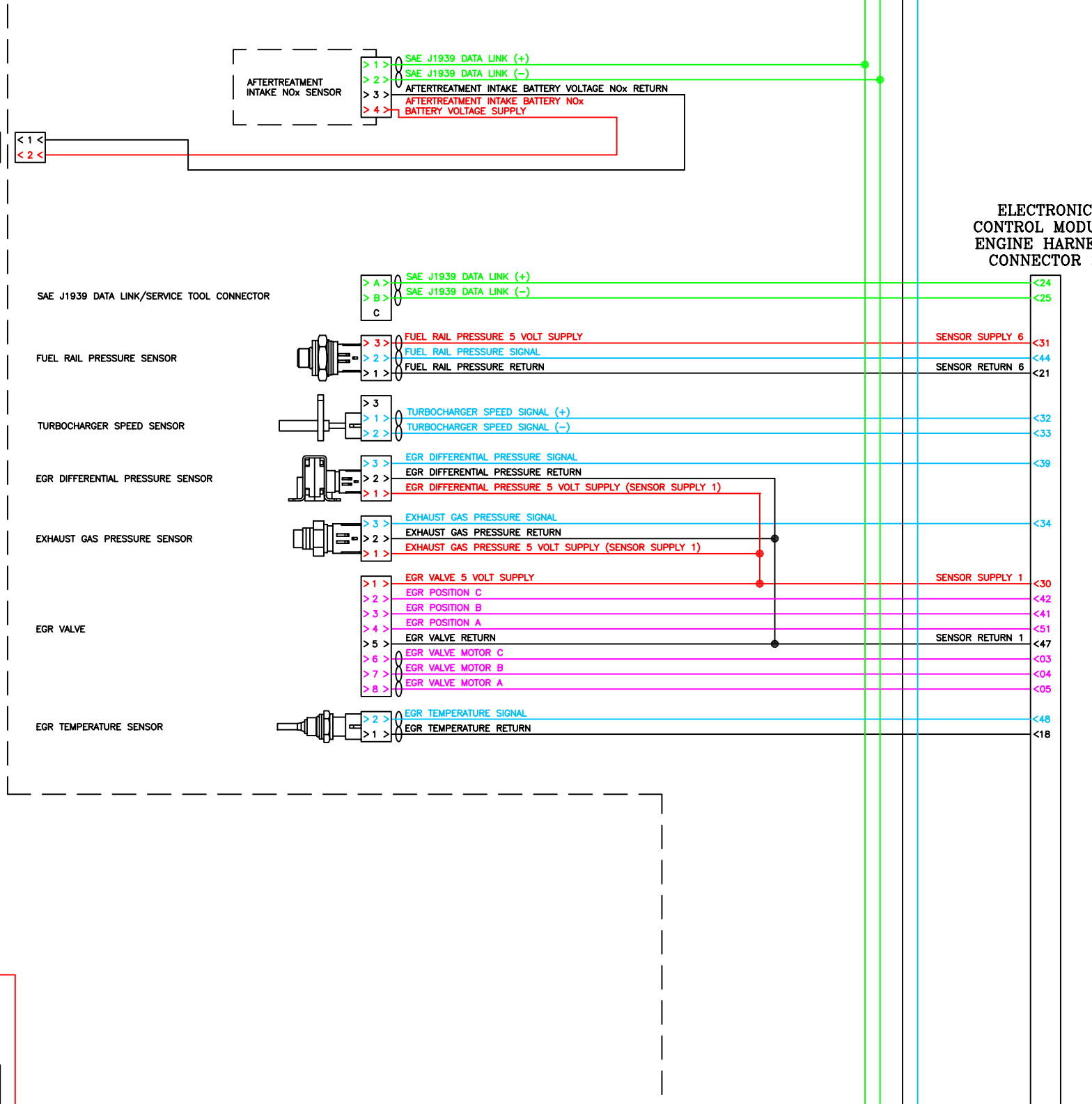
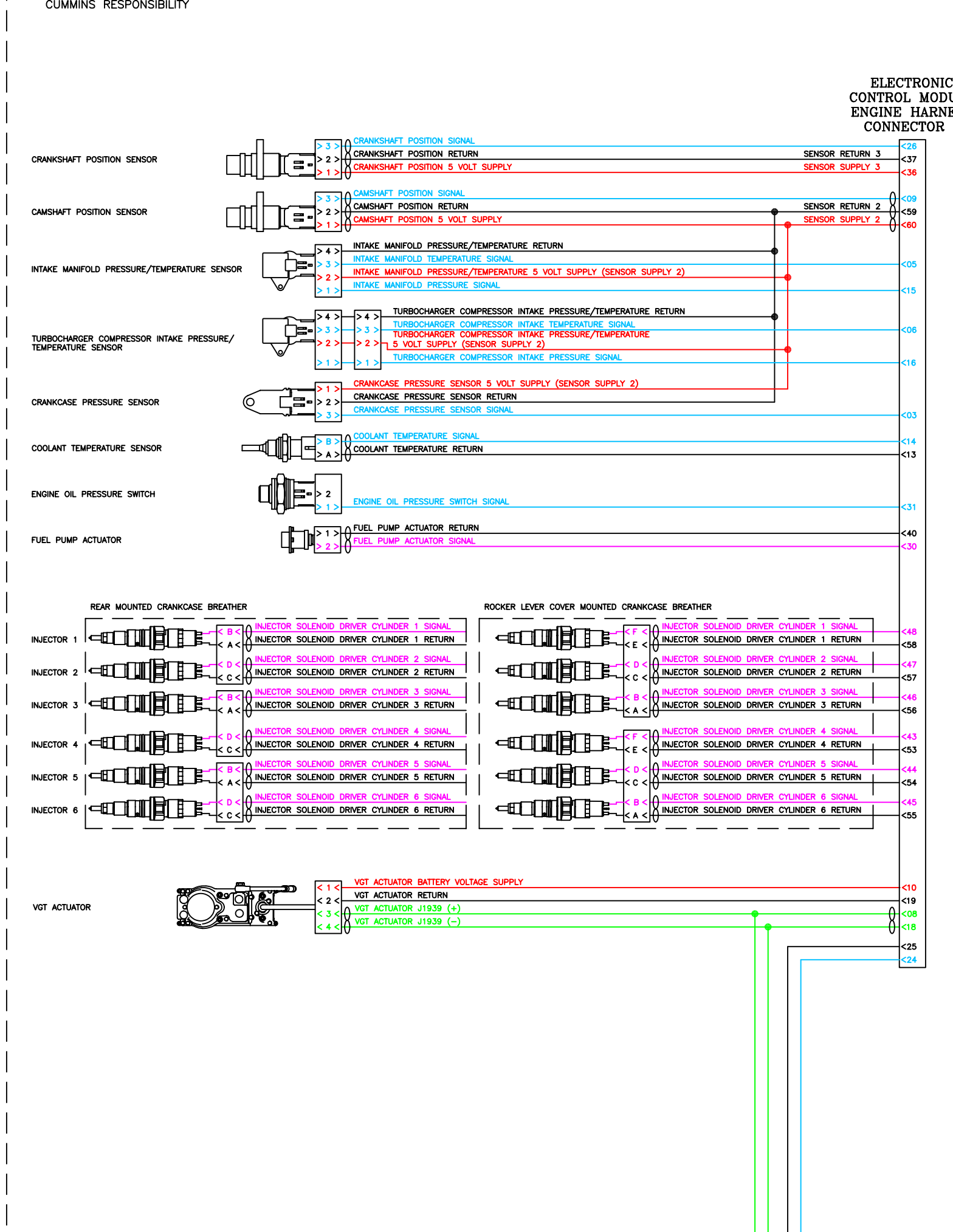
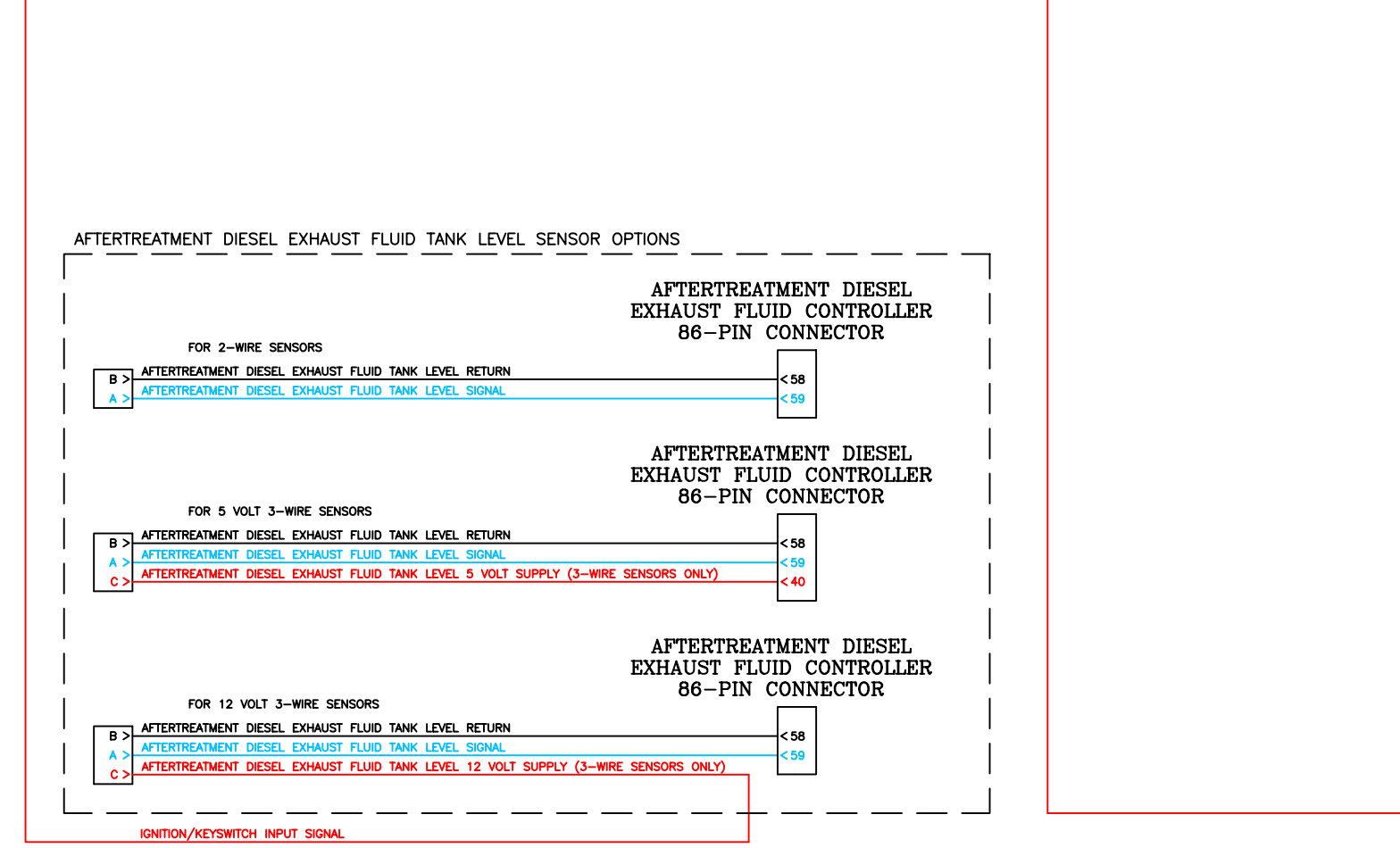
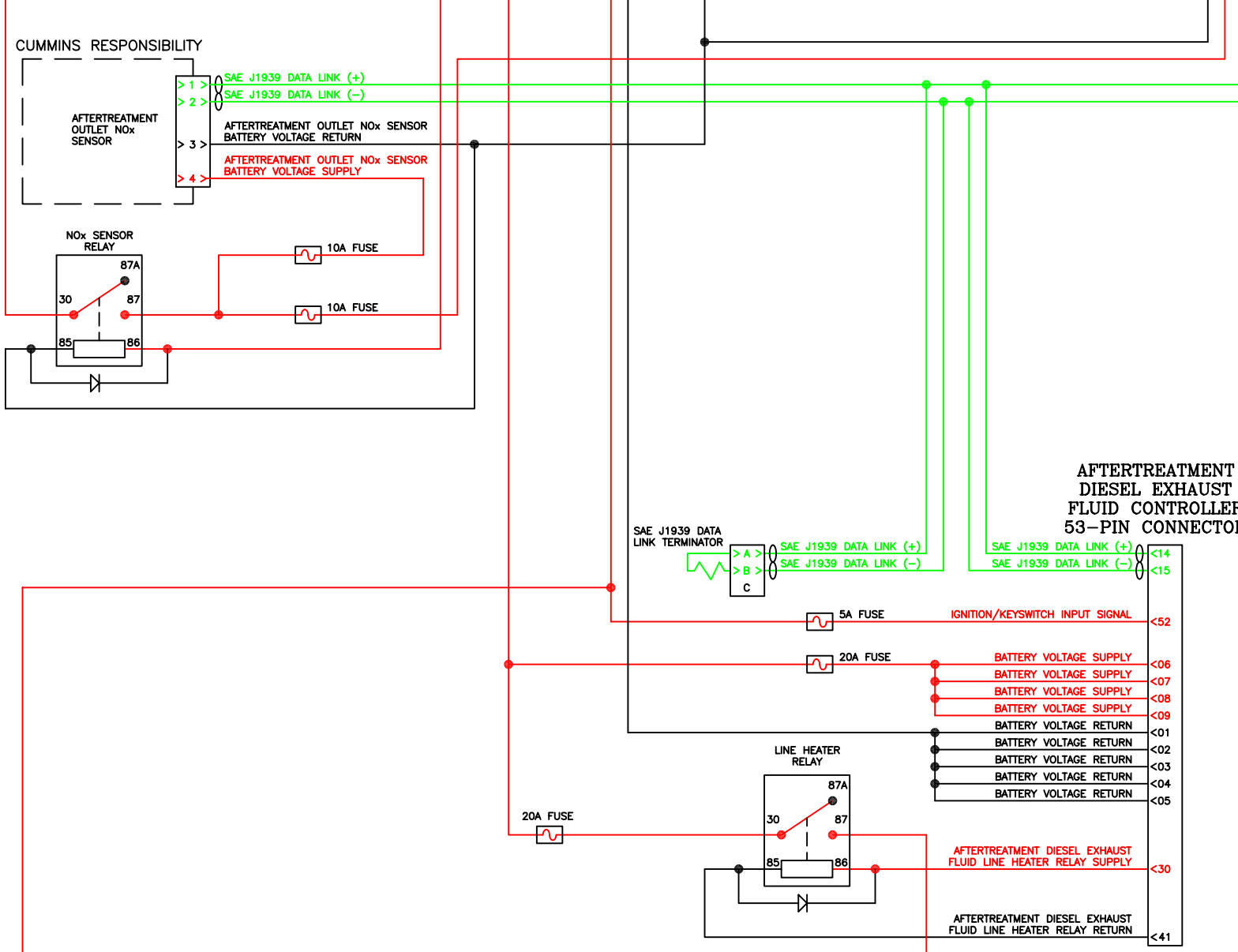
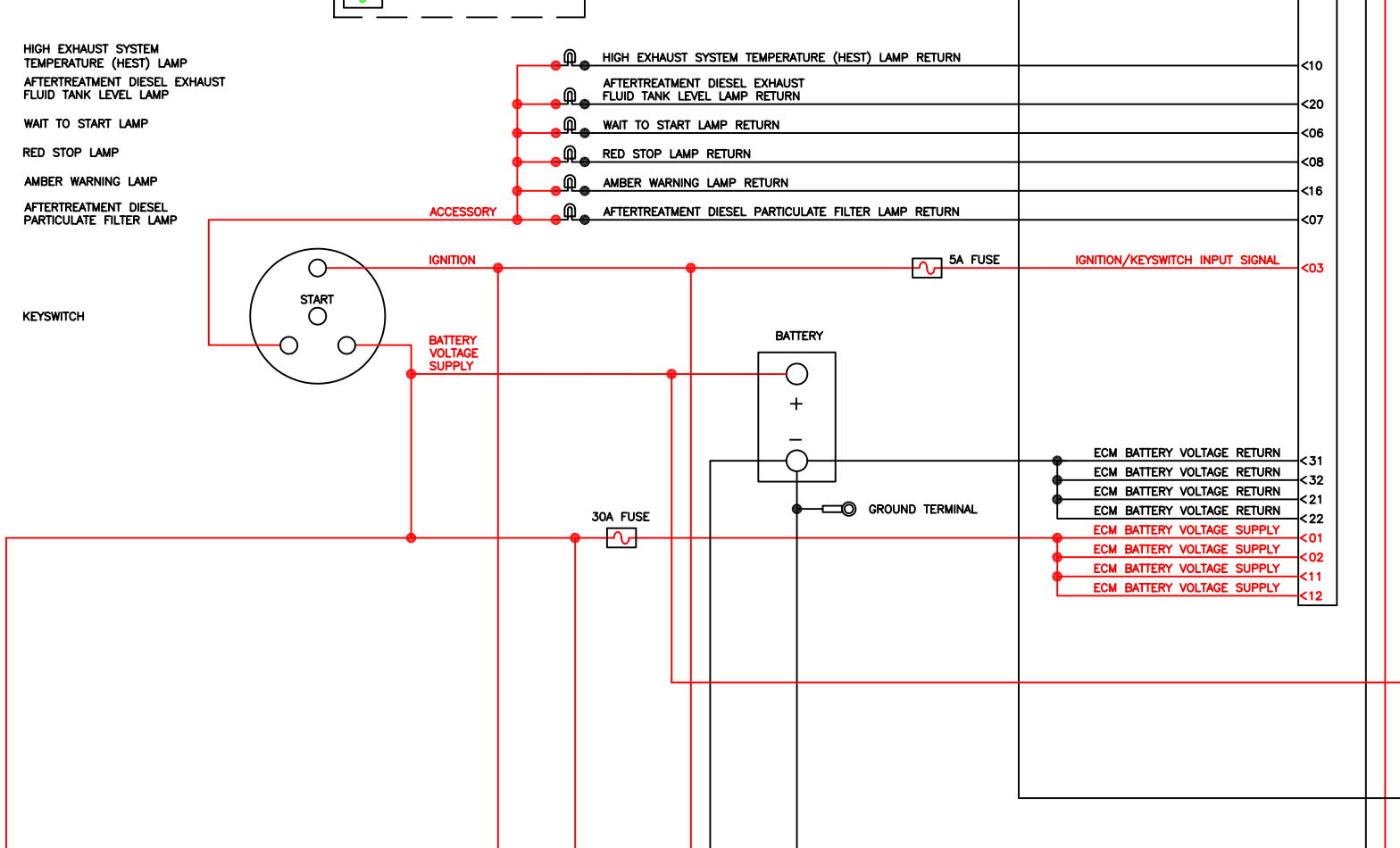
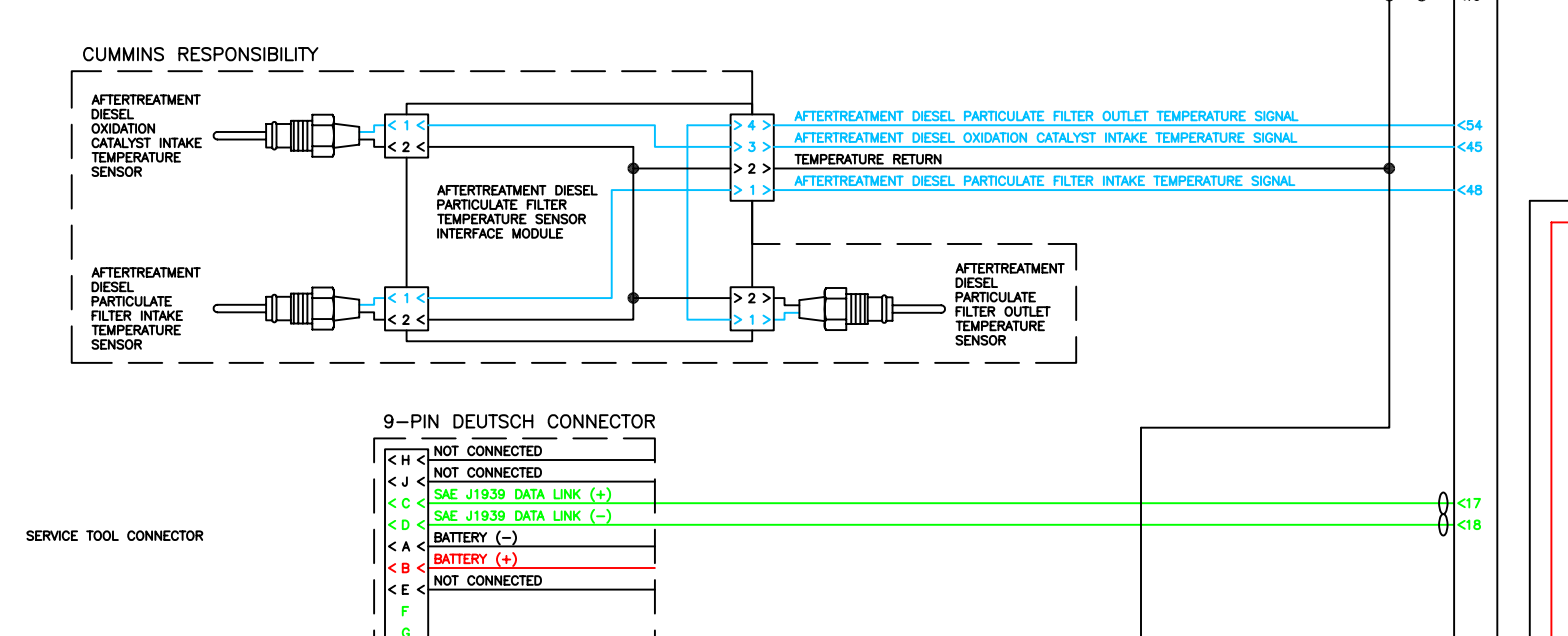
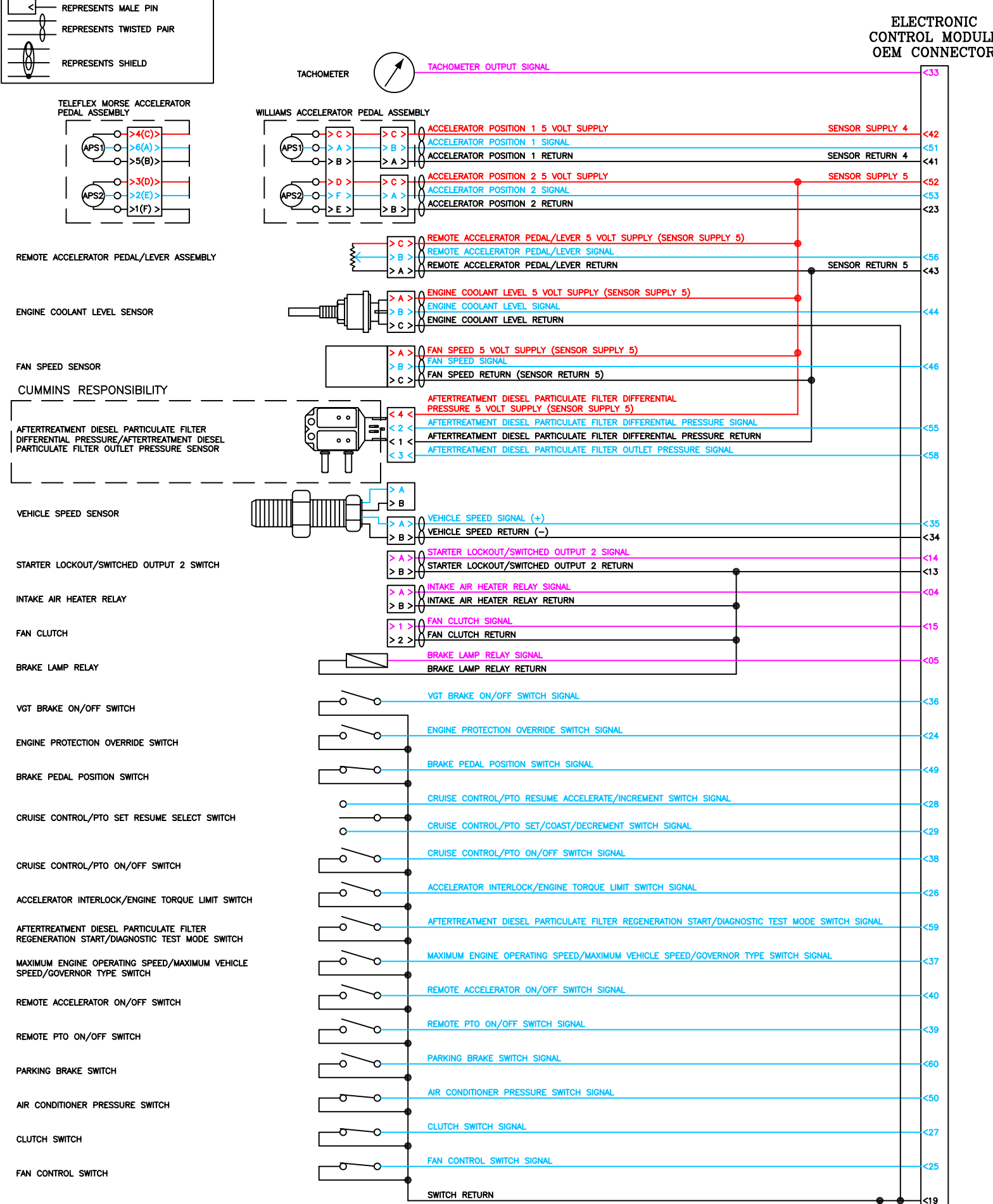


NOTE: SOME OF THE CIRCUITS SHOWN HERE WILL NOT BE ACTIVE IN ALL APPLICATIONS. CONSULT THE EQUIPMENT MANUFACTURER'S LITERATURE TO DETERMINE WHICH CIRCUITS ARE USED.



PROOF COPY
5/27/2010