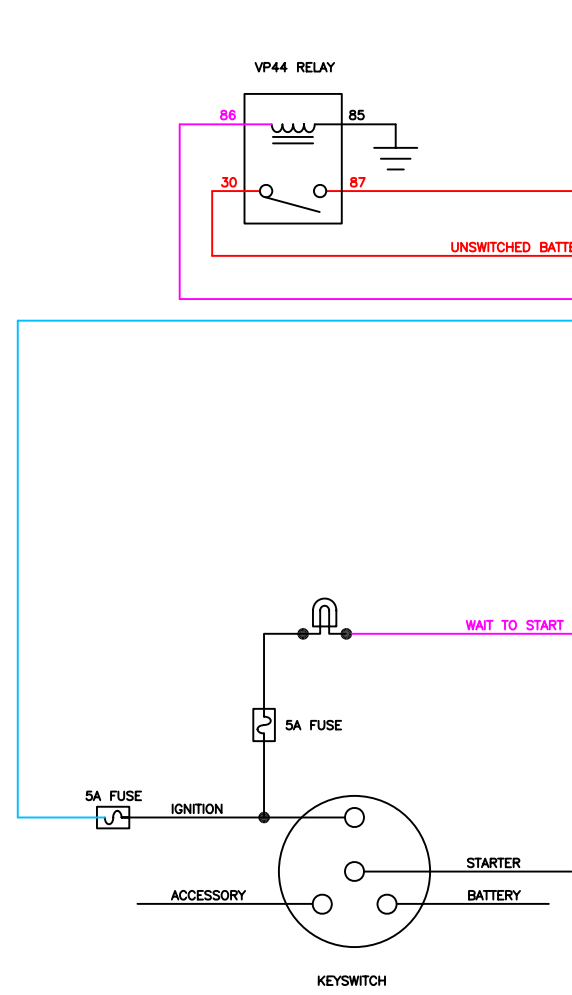


RED DC VOLTAGE  
 BLUE INPUT SIGNALS  
 BLACK GROUNDS, SHIELDS AND RETURNS  
 PURPLE OUTPUT SIGNALS  
 GREEN DATA LINKS

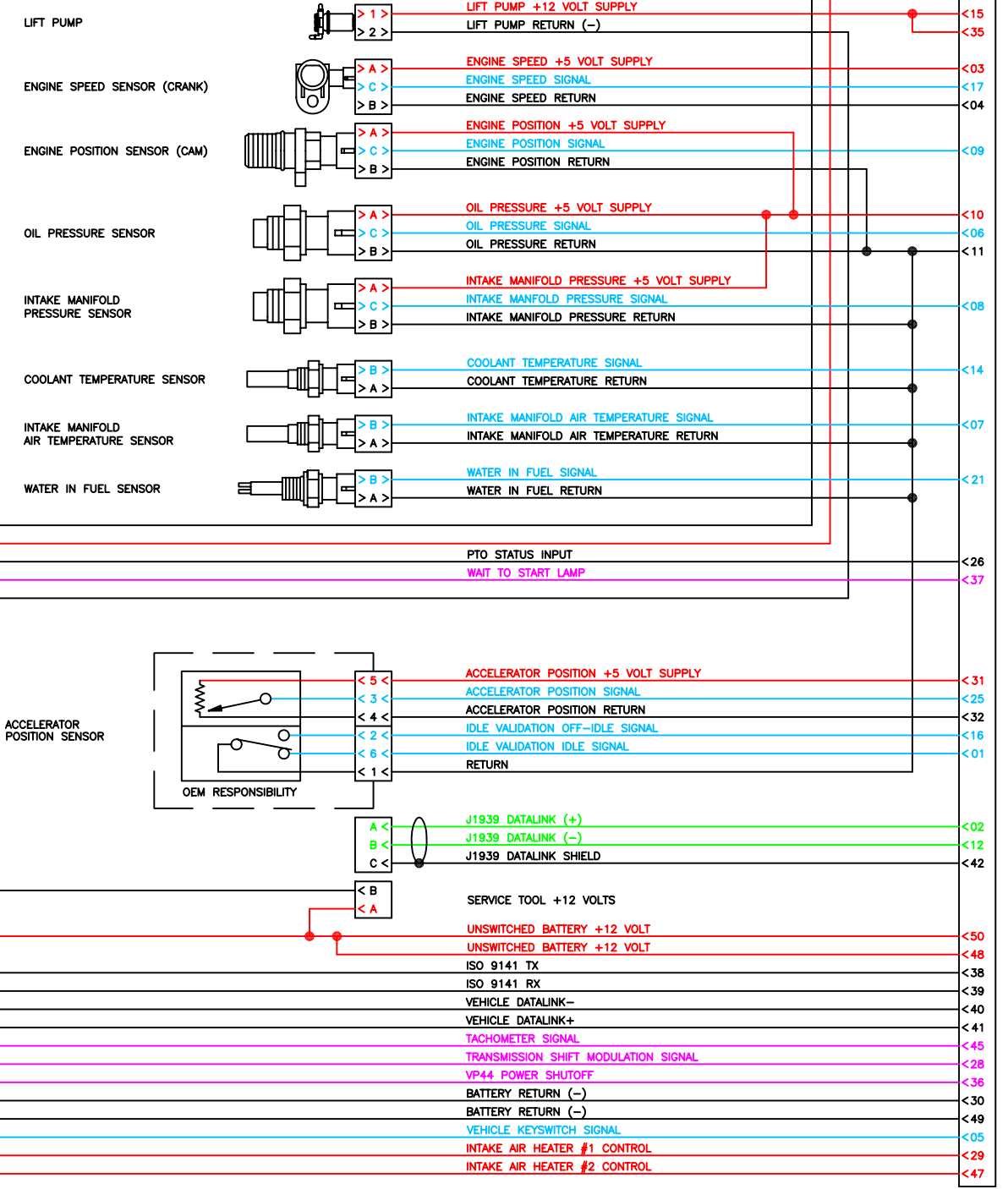
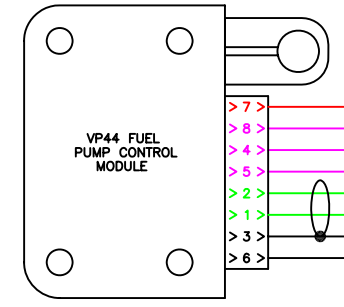
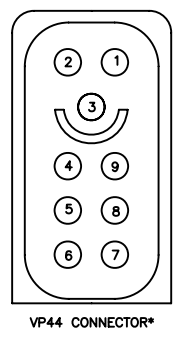
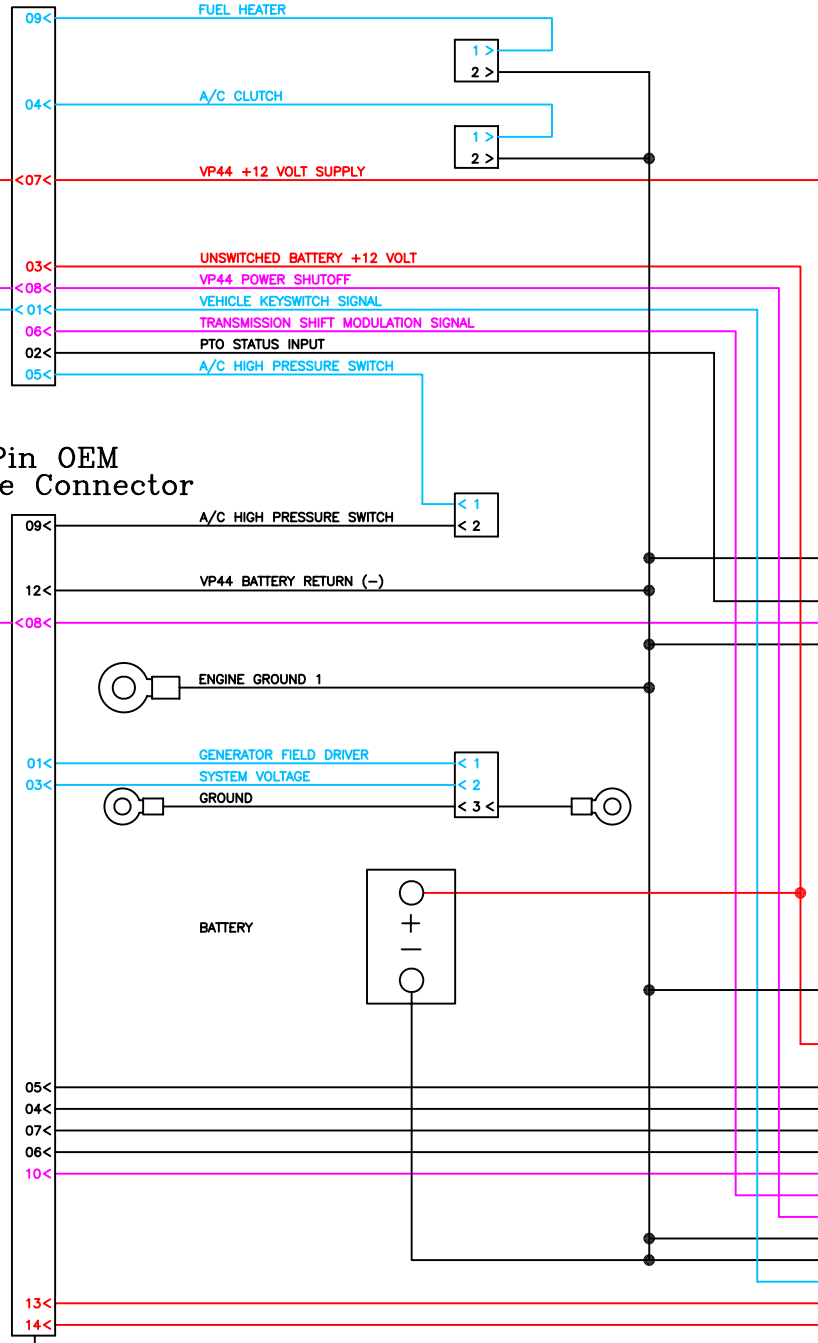
NOTE: SOME OF THE CIRCUITS SHOWN HERE WILL NOT BE ACTIVE IN ALL APPLICATIONS. CONSULT THE EQUIPMENT MANUFACTURER'S LITERATURE TO DETERMINE WHICH CIRCUITS ARE USED.

OEM RESPONSIBILITY | CUMMINS RESPONSIBILITY

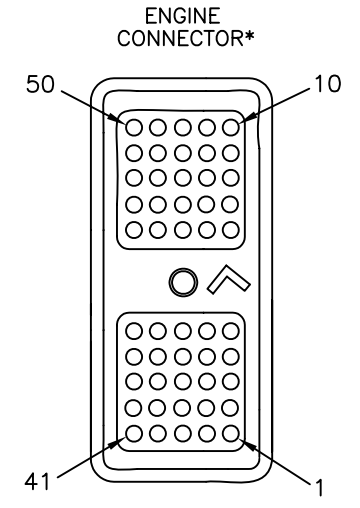


11 Pin OEM Interface Connector

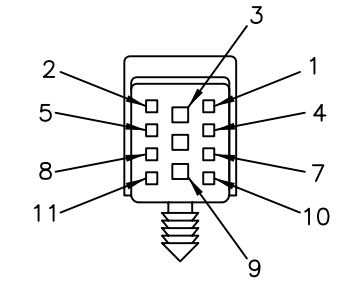
14 Pin OEM Interface Connector



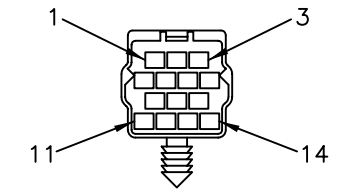
ECM 50 Pin Connector



OEM INTERFACE CONNECTOR 11 PIN CONNECTOR\*



OEM INTERFACE CONNECTOR 14 PIN CONNECTOR\*



\* VIEW SHOWN IS LOOKING AT THE HARNESS SIDE OF THE CONNECTOR

OEM RESPONSIBILITY | CUMMINS RESPONSIBILITY