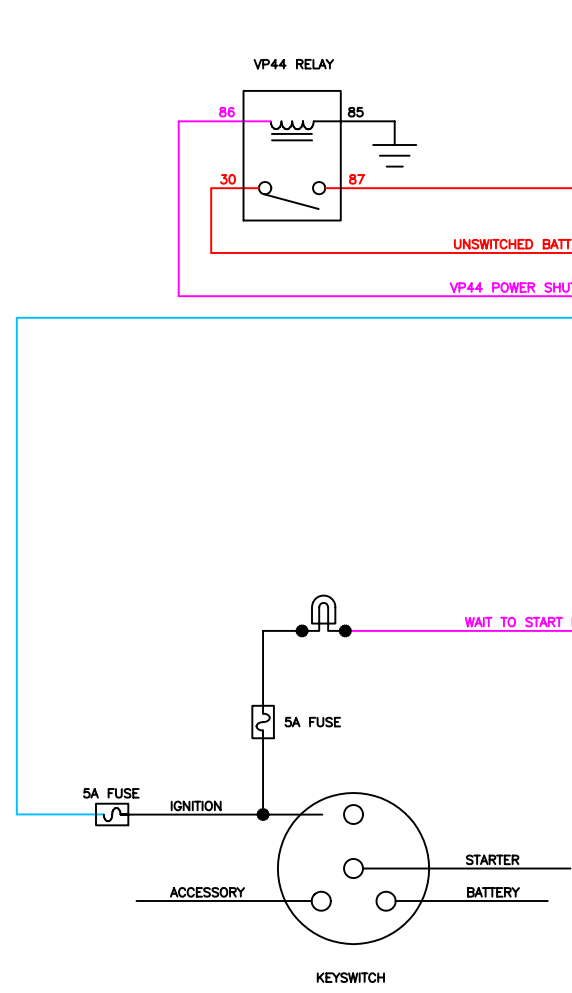


RED DC VOLTAGE
 BLUE INPUT SIGNALS
 BLACK GROUNDS, SHIELDS AND RETURNS
 PURPLE OUTPUT SIGNALS
 GREEN DATA LINKS

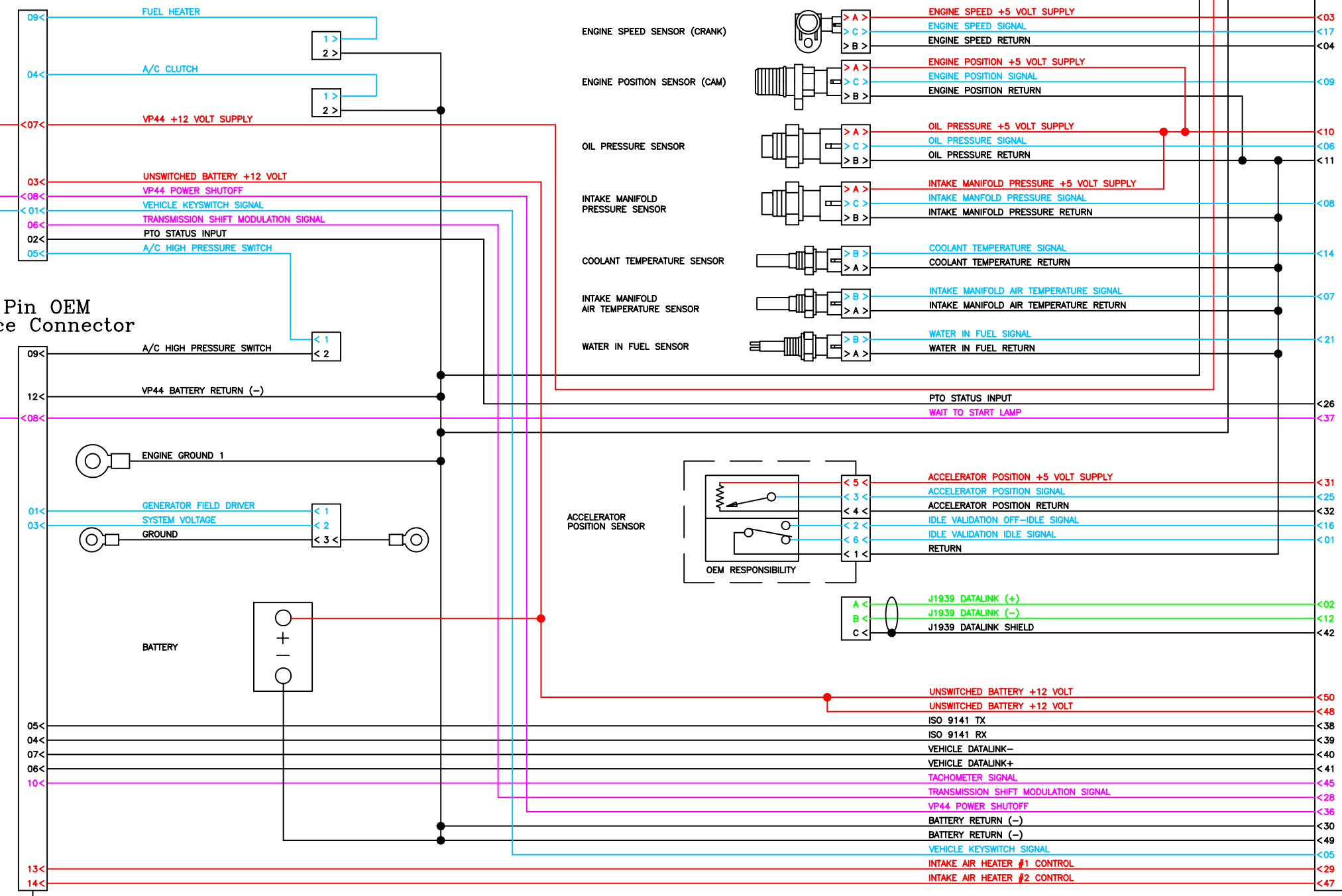
NOTE: SOME OF THE CIRCUITS SHOWN HERE WILL NOT BE ACTIVE IN ALL APPLICATIONS. CONSULT THE EQUIPMENT MANUFACTURER'S LITERATURE TO DETERMINE WHICH CIRCUITS ARE USED.

OEM RESPONSIBILITY | CUMMINS RESPONSIBILITY



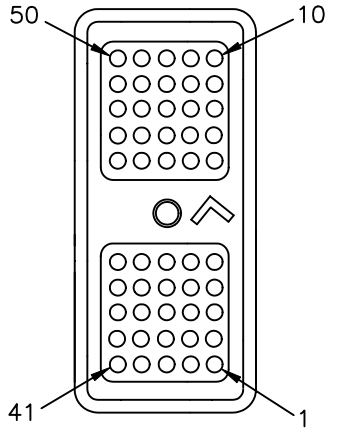
11 Pin OEM Interface Connector

14 Pin OEM Interface Connector

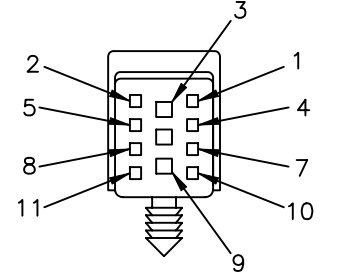


ECM 50 Pin Connector

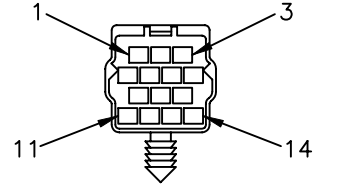
ENGINE CONNECTOR*



OEM INTERFACE CONNECTOR 11 PIN CONNECTOR*



OEM INTERFACE CONNECTOR 14 PIN CONNECTOR*



* VIEW SHOWN IS LOOKING AT THE HARNESS SIDE OF THE CONNECTOR

OEM RESPONSIBILITY | CUMMINS RESPONSIBILITY