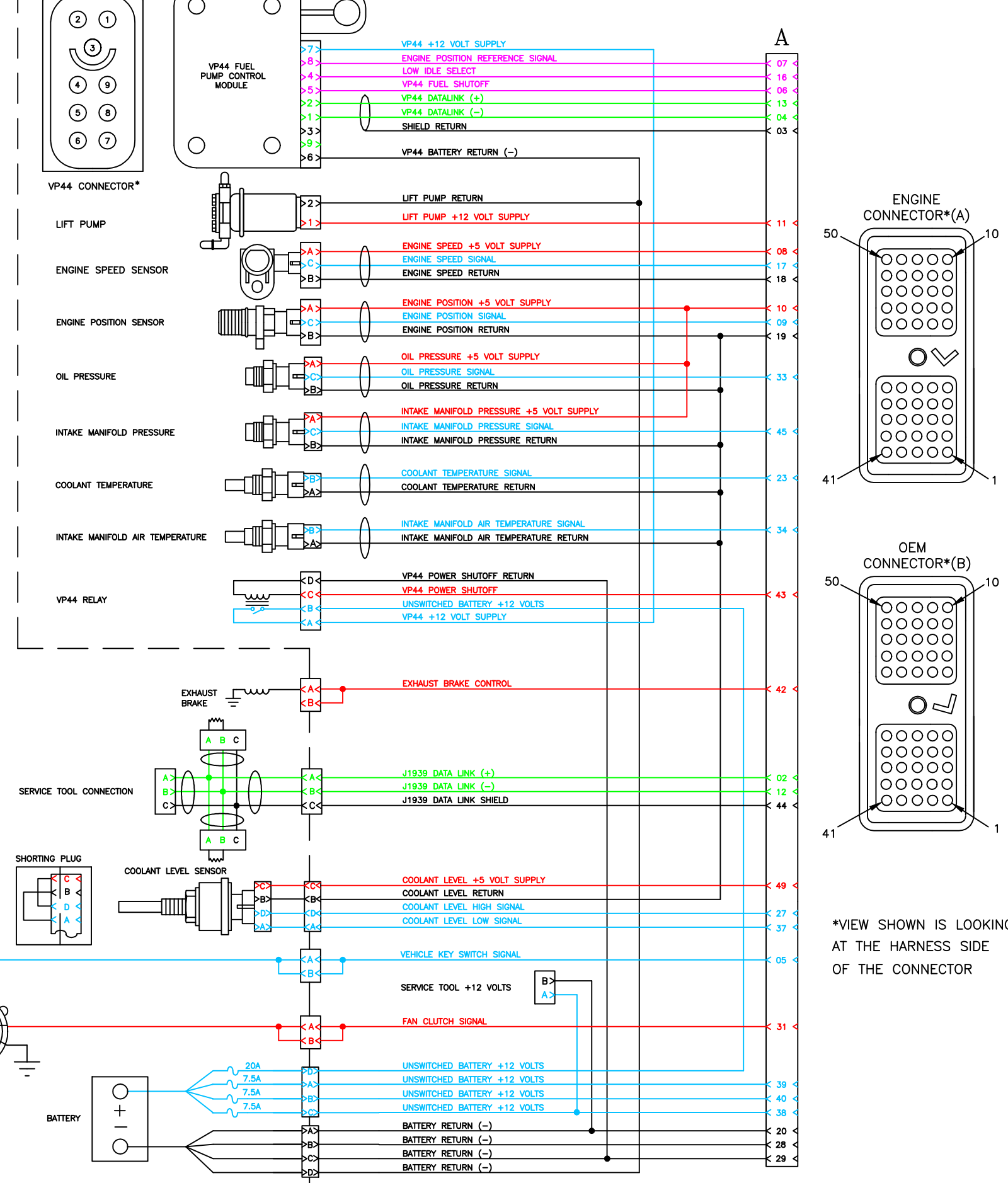
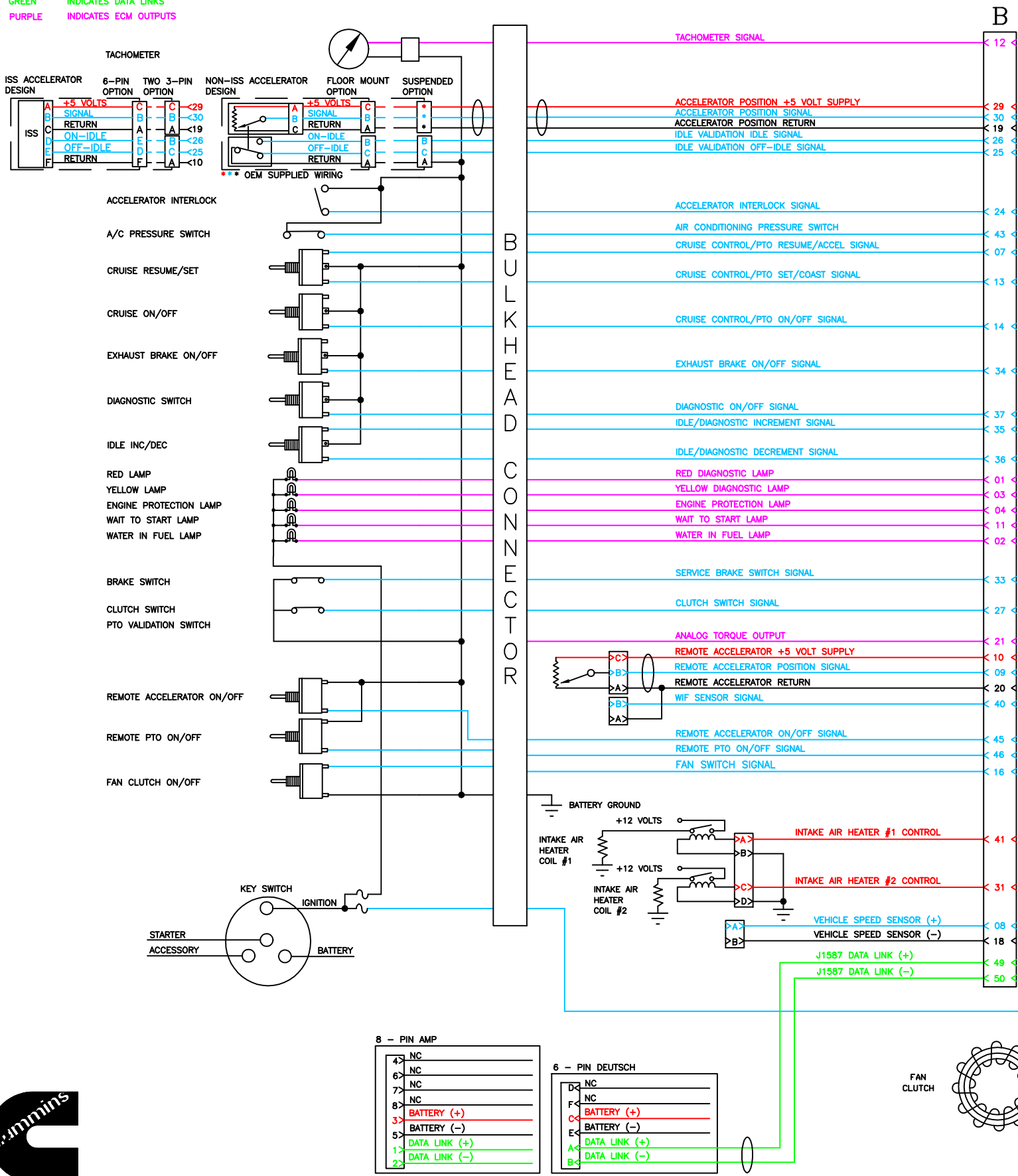


RED INDICATES POWER SUPPLIED BY THE ECM
 BLUE INDICATES POWER AND SIGNALS INTO THE ECM
 BLACK INDICATES ECM RETURNS, GROUNDS, AND GENERIC OEM WIRING
 GREEN INDICATES DATA LINKS
 PURPLE INDICATES ECM OUTPUTS

OEM RESPONSIBILITY

CUMMINS RESPONSIBILITY



*VIEW SHOWN IS LOOKING AT THE HARNESS SIDE OF THE CONNECTOR

NOTE: SOME OF THE CIRCUITS SHOWN HERE WILL NOT BE ACTIVE IN ALL APPLICATIONS. CONSULT THE EQUIPMENT MANUFACTURER'S LITERATURE TO DETERMINE WHICH CIRCUITS ARE USED.