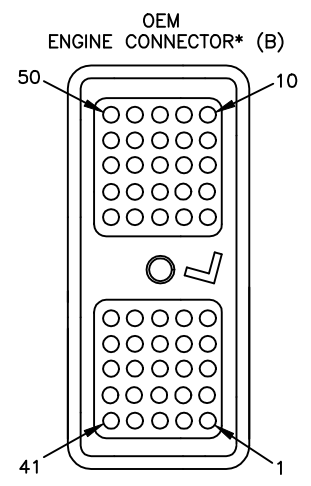
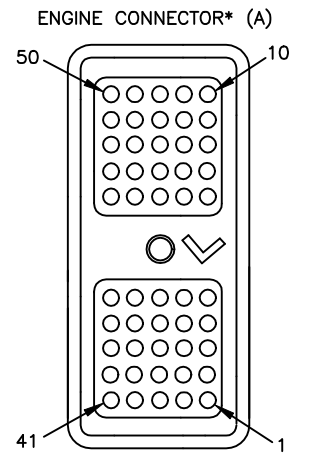
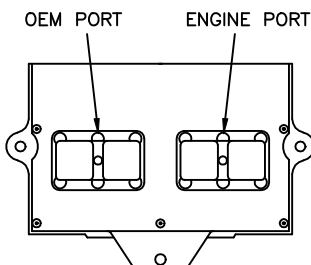
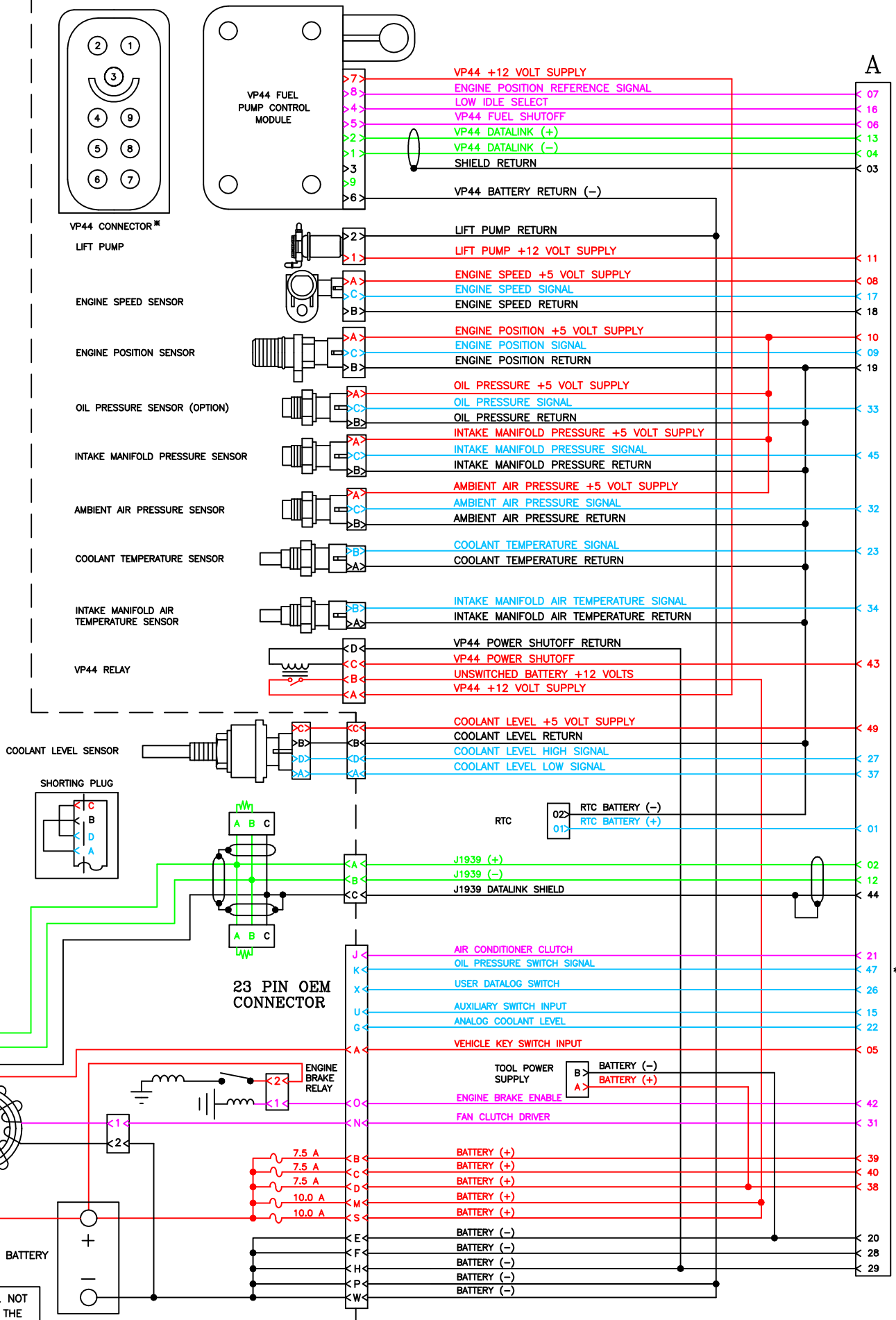
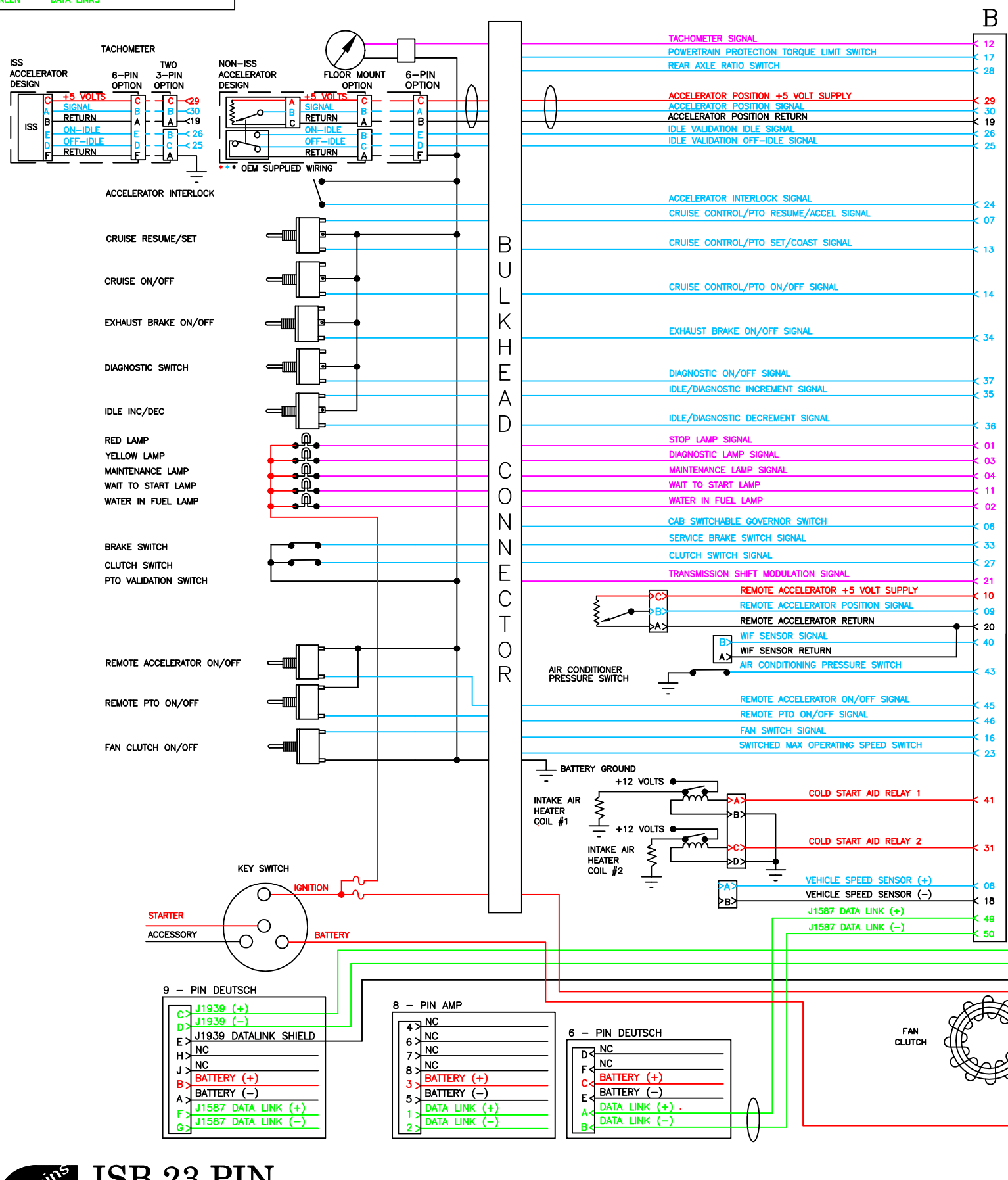


RED DC VOLTAGE  
 BLUE INPUT SIGNALS  
 BLACK GROUNDS, SHIELDS AND RETURNS  
 PURPLE OUTPUT SIGNALS  
 GREEN DATA LINKS

OEM RESPONSIBILITY

CUMMINS RESPONSIBILITY



\*VIEW SHOWN IS LOOKING AT THE HARNESS SIDE OF THE CONNECTOR

\*\* ENGINES BUILT AFTER APRIL 2002 DO NOT HAVE THE OIL PRESSURE SWITCH SIGNAL GOING TO PIN K OF THE 23-PIN OEM CONNECTOR

# Cummins ISB 23 PIN Wiring Diagram

(for ECM Part Numbers 3942860, 3944124, and 3990517) Bulletin 3666325-02

NOTE: SOME OF THE CIRCUITS SHOWN HERE WILL NOT BE ACTIVE IN ALL APPLICATIONS. CONSULT THE EQUIPMENT MANUFACTURER'S LITERATURE TO DETERMINE WHICH CIRCUITS ARE USED.

OEM RESPONSIBILITY

CUMMINS RESPONSIBILITY