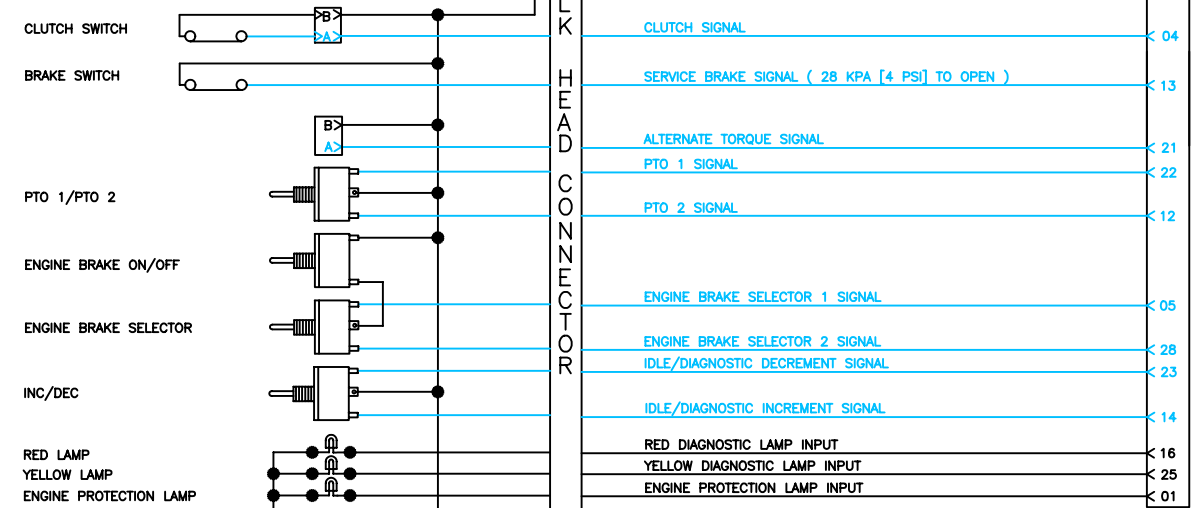
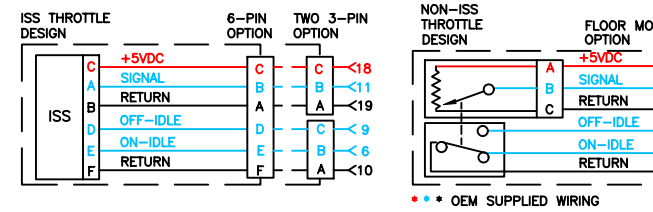
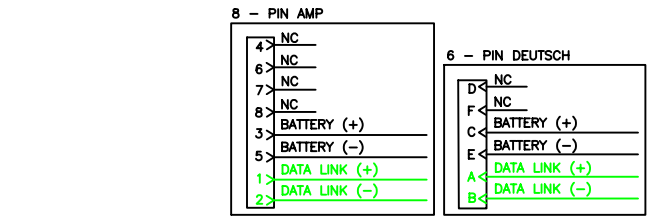
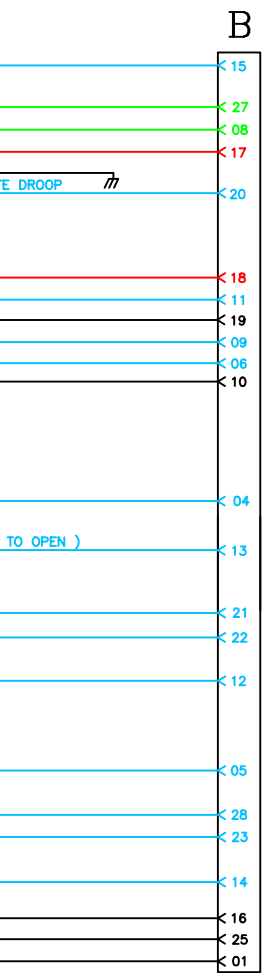


RED DC VOLTAGE
 BLUE INPUT SIGNALS
 BLACK GROUNDS, SHIELDS AND RETURNS
 PURPLE OUTPUT SIGNALS
 GREEN DATALINKS

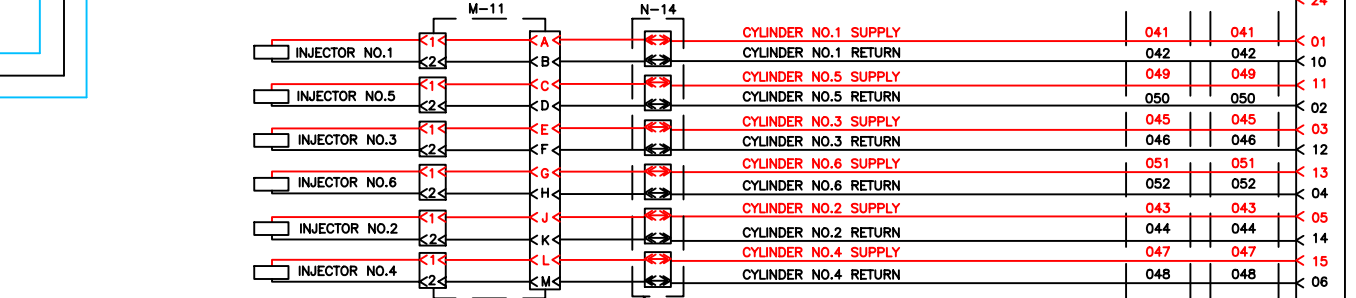
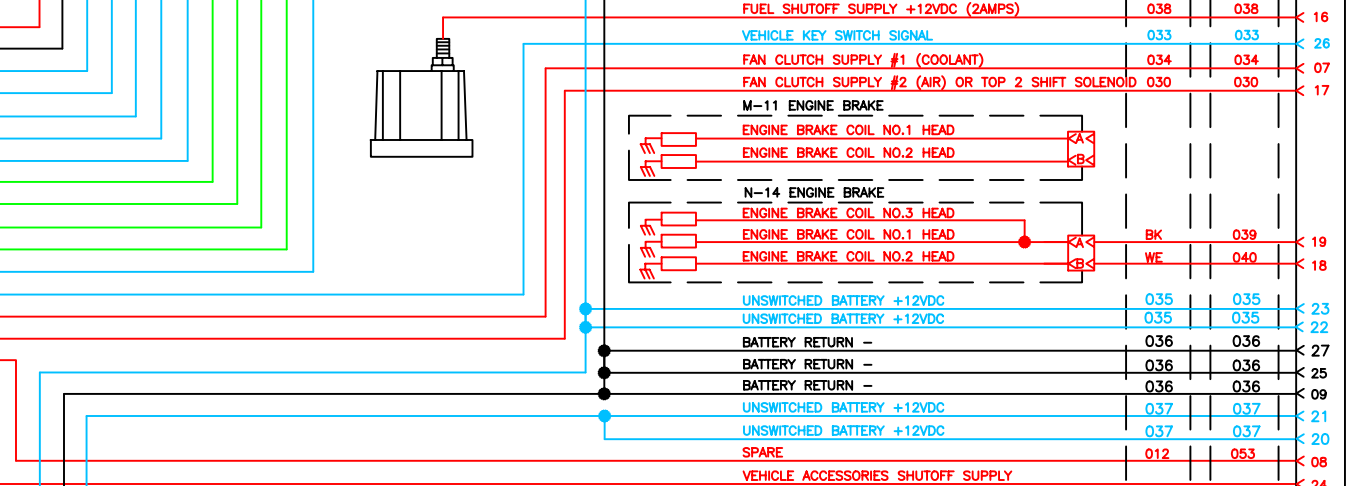
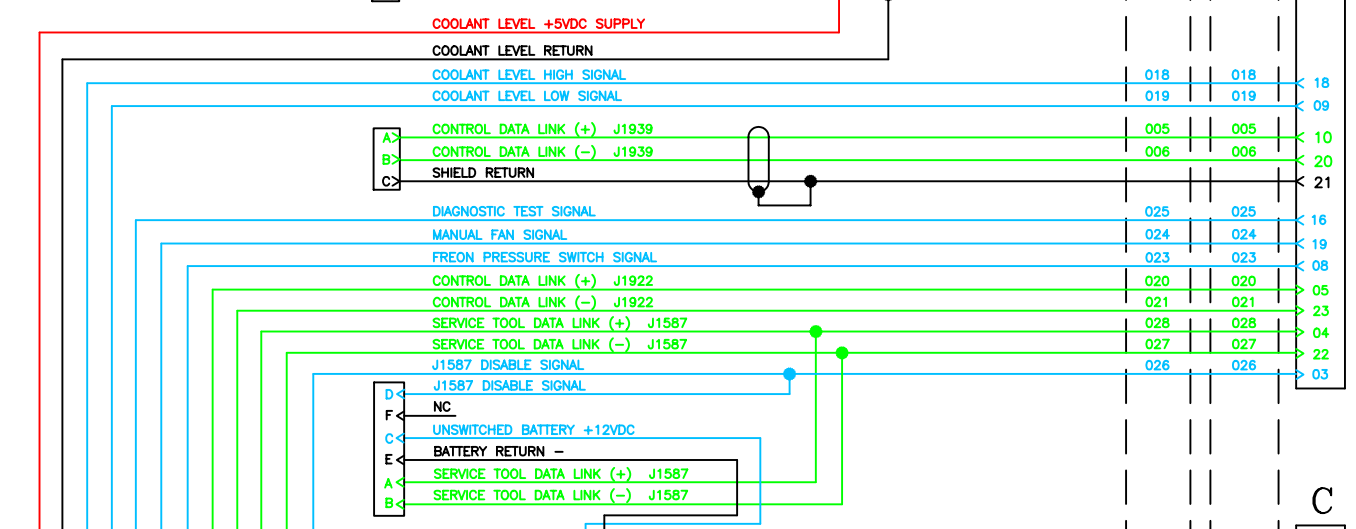
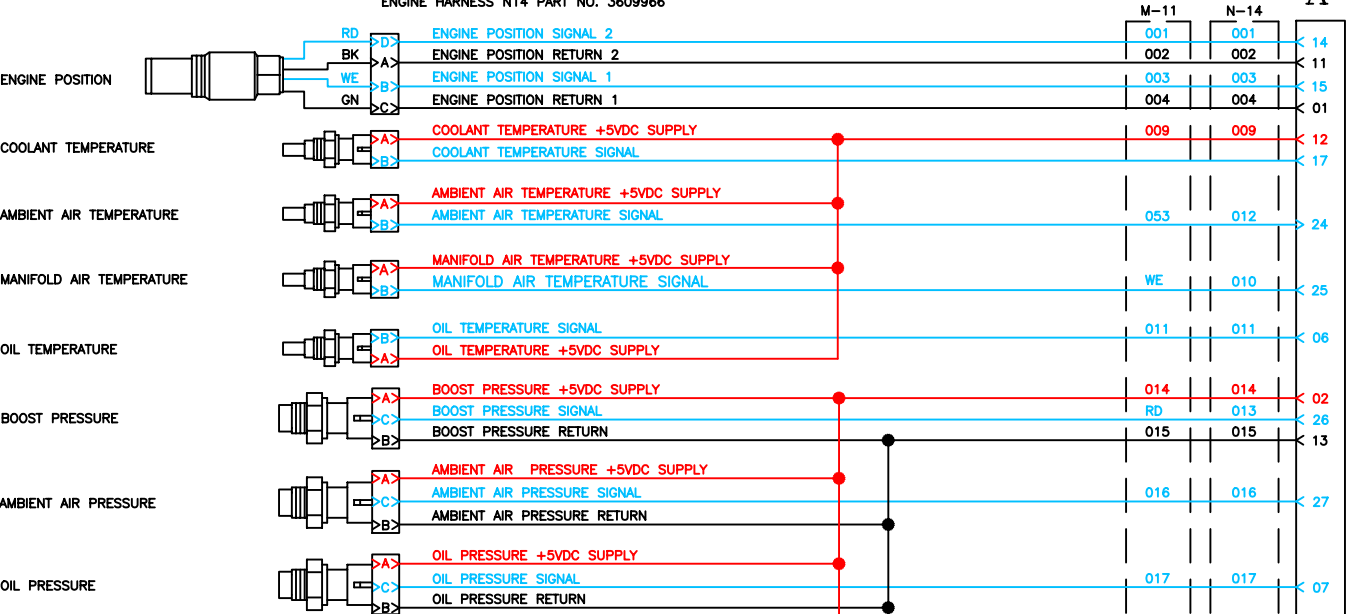
NOTE: SOME OF THE CIRCUITS SHOWN HERE WILL NOT BE ACTIVE IN ALL APPLICATIONS. CONSULT THE EQUIPMENT MANUFACTURER'S LITERATURE TO DETERMINE WHICH CIRCUITS ARE USED.



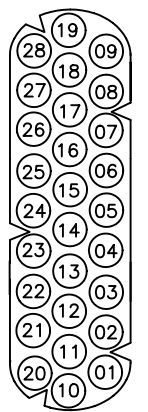
OEM RESPONSIBILITY



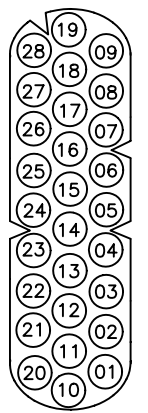
CUMMINS RESPONSIBILITY



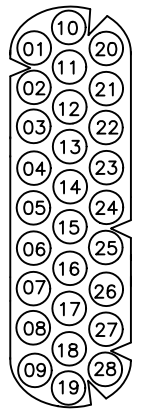
SENSOR CONNECTOR A



OEM CONNECTOR B



ACTUATOR CONNECTOR C



PROOF COPY
 f:\cummins\wirediag\clic_t_ps\ind\36666348.dwg
 5/7/02

OEM RESPONSIBILITY

CUMMINS RESPONSIBILITY

ROCKER BOX PASS THROUGH